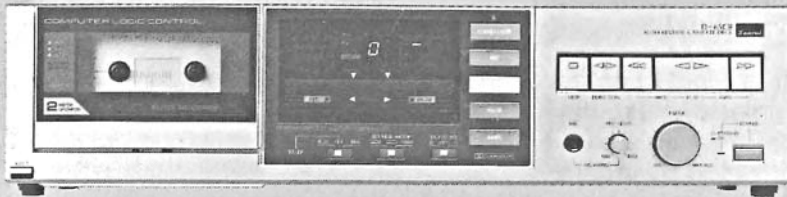


SERVICE MANUAL

AUTO REVERSE CASSETTE DECK

SANSUI D-65CR

(Silver & Black Model)



CAUTION

1. Parts identified by the Δ symbol on the schematic diagram and the parts list are critical for safety. Use only replacement parts that have critical characteristics recommended by the manufacturer.
2. Make leakage-current or resistance measurements to determine that exposed parts are acceptably insulated from the supply circuit before returning the appliance to the customer.

•SPECIFICATIONS

Track format	4-track/2-channel system
Tape speed	4.8 cm/sec
Heads	
Rec/play head	HIGH-Bs hard permalloy
Erase head	Double-gap HIGH-Bs ferrite
Motor	Electronically controlled DC motor
	Reels: DC Motor
Wow/flutter	0.05% max (WRMS)
Fast forwarding (rewinding) time	
.....	Approx. 85 sec.
	(for C-60 tape)
Frequency response (—20 VU recording/playback)	
Normal tape (LH)	20 to 15,000 Hz
	(30 to 14,000 Hz \pm 3 dB)
Chrome Tape	20 to 16,000 Hz
	(30 to 15,000 Hz \pm 3 dB)
Metal Tape	20 to 17,000 Hz
	(30 to 16,000 Hz \pm 3 dB)
Erase rate (metal tape)	
.....	70 dB min (1 kHz)
Recording bias frequency	
.....	85 kHz
Input sensitivity/impedance	
LINE IN (REC)	150 mV/47 kohms
MIC	0.5 mV/10 kohms
Signal to noise ratio (Record/Playback)	
Metal Tape (without Dolby Noise Reduction)	
.....	better than 54 dB
(With Dolby Noise Reduction Effect)	
DOLBY "B" NR	better than 64 dB
	(above 5 kHz)
DOLBY "C" NR	better than 74 dB
	(above 1 kHz)
Power requirements	
Power voltage	120/220/240V (50/60 Hz)
For U.S.A. and Canada	
.....	120V (60 Hz)
Power consumption	20 watts
Dimensions	430 mm (16-15/16") W
	112 mm (4-7/16") H
	224 mm (8-15/16") D
Weight	3.9 kg (8.6 lbs.) net

* Design and specifications subject to changes without notice for improvements.

* Noise reduction system manufactured under license from Dolby Laboratories Licensing Corporation. "Dolby" and the double D symbol are trade marks of Dolby Laboratories Licensing Corporation.

Sansui

SANSUI ELECTRIC CO., LTD.

CAUTION

1. The symbols, UL, CSA, SA, BS, UK, EU, AS, XX <EXPORT> and XX-V <EXPORT(V)> on the parts list and the schematic diagram mean followings respectively.

UL.....	Manufactured for U.S.A market. (Underwriters Laboratories approved model.)
CSA	Manufactured for Canadian market.
SA.....	Manufactured for South African market.
BS, UK.....	Manufactured for United Kingdom market.
EU	Manufactured for European market.
AS.....	Manufactured for Australian market.
XX <EXPORT>	Standard Version with Inner Voltage Selector.
XX-V <EXPORT(V)>	Standard Version with Outer Voltage Selector.
NON MARK	Common Parts.

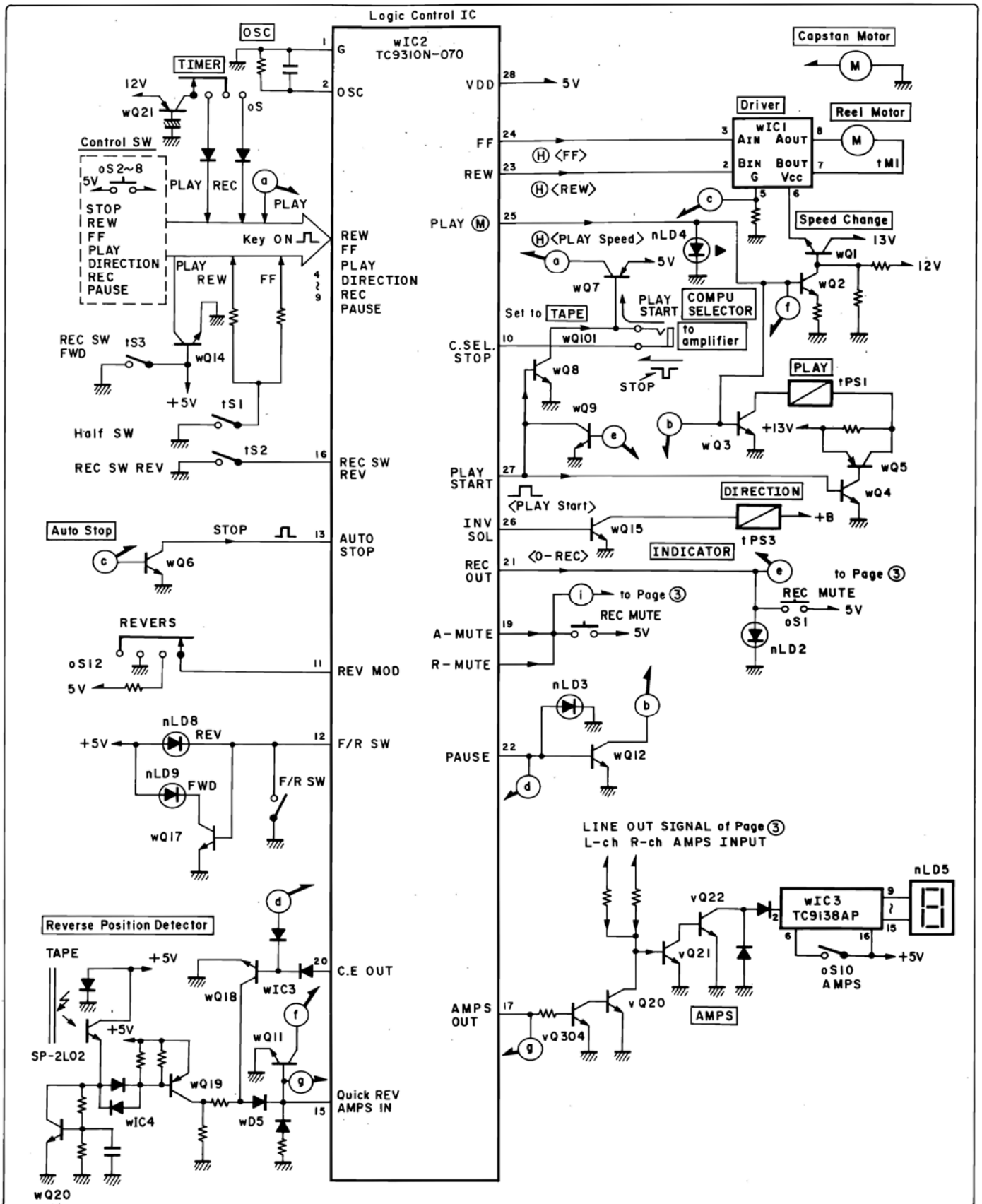
2. Some printed circuit boards are not supplied as the assembled. To separate these in this service manual, the stock No's are not indicated at the ends of the board names. However, the individual parts on the circuit boards are provided by orders.
3. Since some of capacitors and resistors are omitted from parts lists in this service manual, refer to the Common Parts List for capacitors & resistors, which was issued on February 1983.
4. Abbreviations in this service manual are as follows.

•Abbreviations List

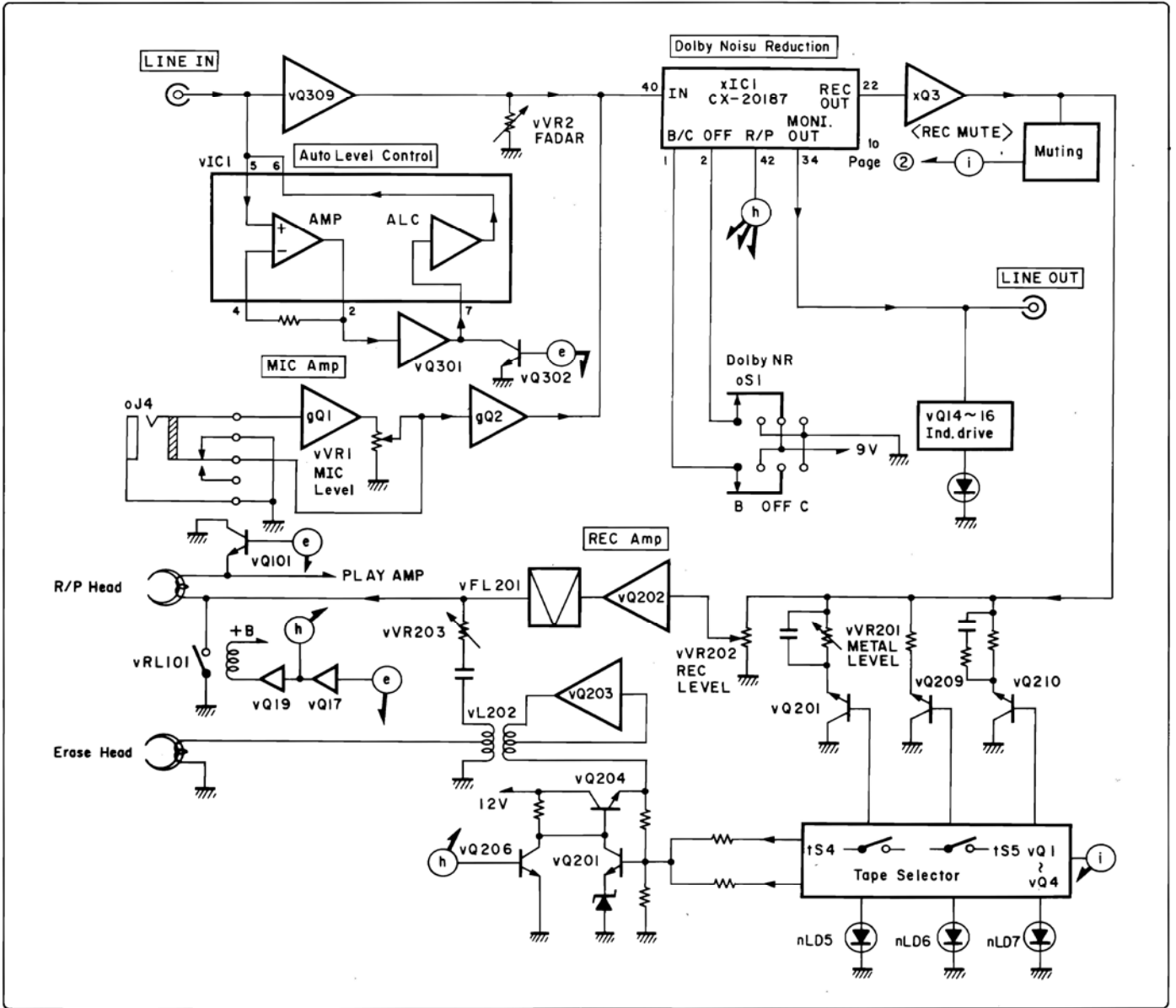
C.R. : Carbon Resistor	E.B.L. : Low Leak Bi-Polar Electrolytic Capacitor
S.R. : Solid Resistor	Ta.C. : Tantalum Capacitor
Ce.R. : Cement Resistor	F.C. : Film Capacitor
M.R. : Metal Film Resistor	M.P. : Metalized Paper Capacitor
F.R. : Fusing Resistor	P.C. : Polystyrene Capacitor
N.I.R. : Non-Inflammable Resistor	G.C. : Gimmic Capacitor
A.R. : Array Resistor	A.C. : Array Capacitor
C.C. : Ceramic Capacitor	V.R. : Variable Resistor
C.T. : Ceramic Capacitor, Temperature Compensation	S.V.R. : Semi Variable Resistor
E.C. : Electrolytic Capacitor	SW. : Switch
E.L. : Low Leak Electrolytic Capacitor	Chip R. : Chip Resistor
E.B. : Bi-Polar Electrolytic Capacitor	Chip C. : Chip Capacitor

1. BLOCK DIAGRAM

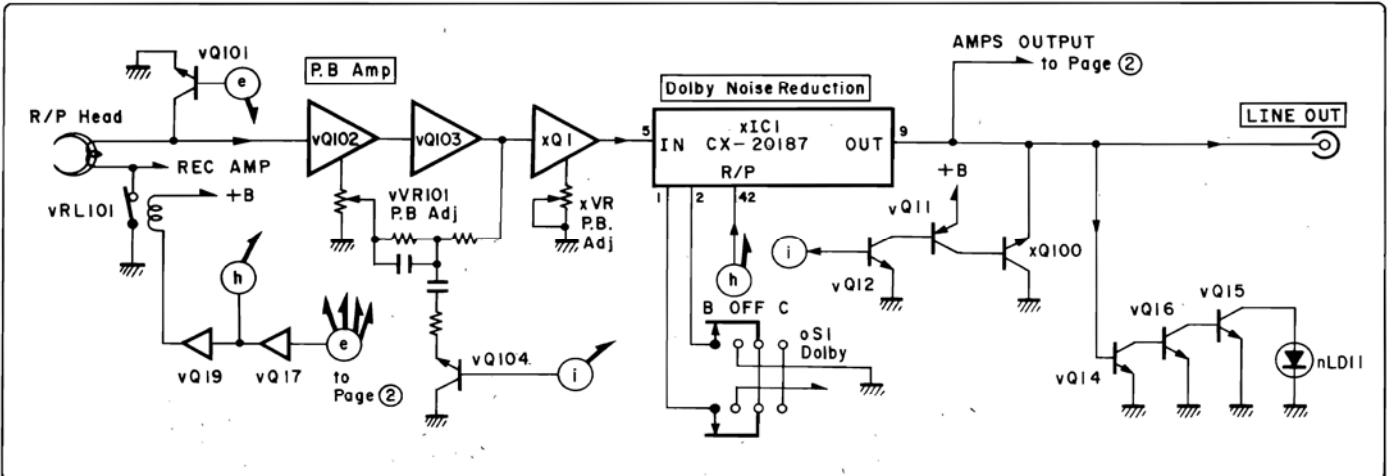
1-1. Logic Control Section



1-2. Recording Section <L-ch>

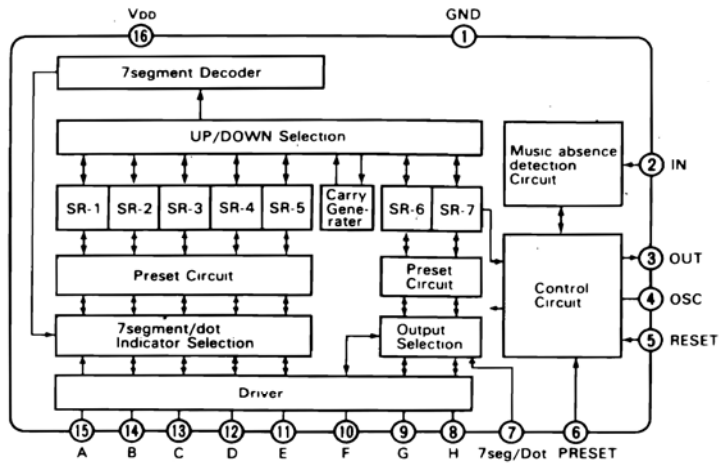


1-3. Playback Section <L-ch>

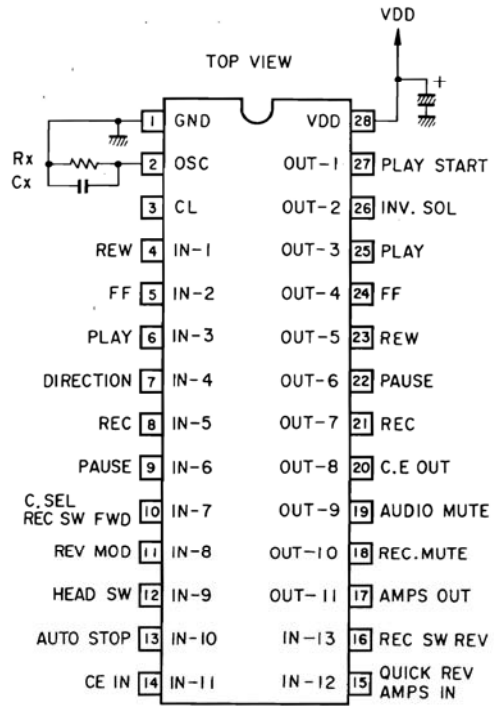


2. INTERIOR BLOCK DIAGRAM OF IC

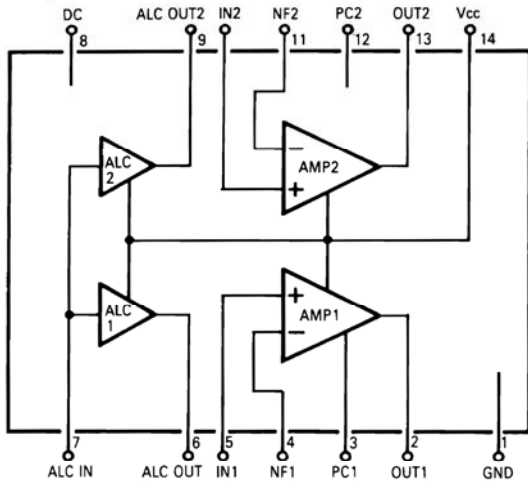
•TC9138P (AMPS IC)



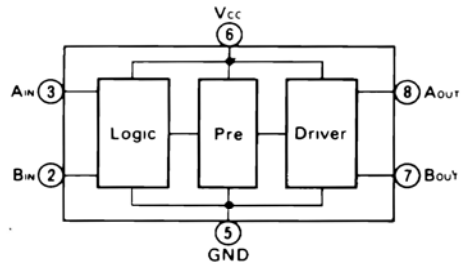
•TC9310N-070 (Logic Control IC)



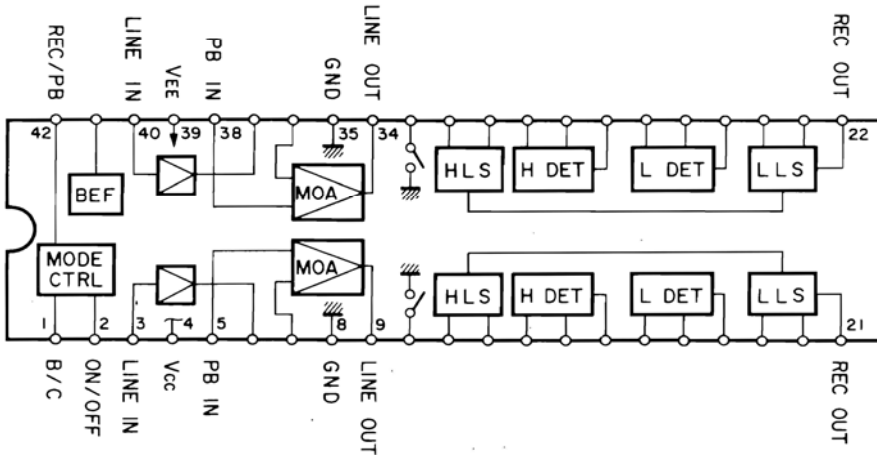
•LA3220 (ALC & PB EQ. Amp. IC)



•BA6208 (Motor Drive IC)



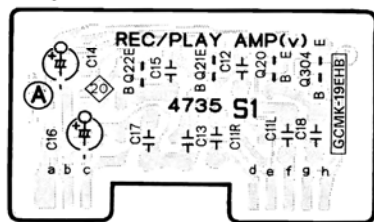
•CX-20187 (Dolby Noise Reduction IC)



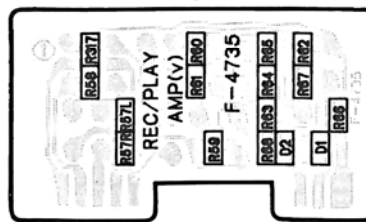
3. PARTS LOCATION & PARTS LIST

3-1. F-4735 AMPS. Circuit Board (Stock No. 00863901)

Component Side



Pattern Side < Chip Parts >



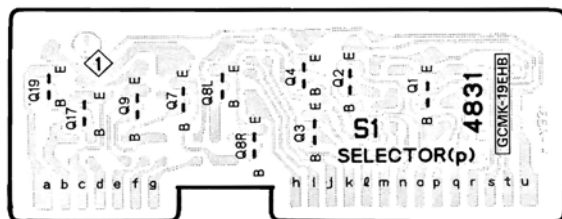
Parts List

Parts No.	Stock No.	Description
• Transistor		
vQ20	46367101	2SC2603
	or 46367301	2SC2458
	or 48058801	2SC1740S
vQ21	46367101	2SC2603
	or 46367301	2SC2458
	or 48058801	2SC1740S
vQ22	46367101	2SC2603
	or 46367301	2SC2458
	or 48058801	2SC1740S
vQ304	46367101	2SC2603
	or 46367301	2SC2458
	or 48058801	2SC1740S

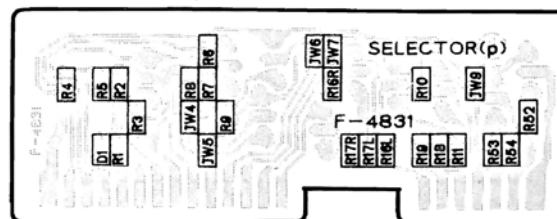
Parts No.	Stock No.	Description
• Diode		
vD11	46852000	RLS-73
vD12	46852000	RLS-73
vR57	46751600	47kΩ 1/8W Chip R.
vR58	46750000	10kΩ 1/8W Chip R.
vR59	46753000	180kΩ 1/8W Chip R.
vR60	46750000	10kΩ 1/8W Chip R.
vR61	46754400	680kΩ 1/8W Chip R.
vR62	46747200	680Ω 1/8W Chip R.
vR63	46753000	180kΩ 1/8W Chip R.
vR64	46754400	680kΩ 1/8W Chip R.
vR65	46750000	10kΩ 1/8W Chip R.
vR66	46747600	1kΩ 1/8W Chip R.
vR67	46747200	680Ω 1/8W Chip R.
vR68	46751600	47kΩ 1/8W Chip R.
vR317	46750000	10kΩ 1/8W Chip R.

3-2. F-4831 Bias Control Board (Stock No. 00863601)

Component Side



Pattern Side < Chip Parts >

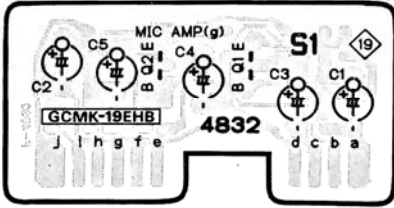


Parts List

Parts No.	Stock No.	Description
• Transistor		
vQ1	46367001	2SA1115
	or 46392001	2SA1175
vQ2	46367001	2SA1115
	or 46392001	2SA1175
vQ3	46367101	2SC2603
	or 46367301	2SC2458
	or 48058801	2SC1740S
vQ4	46367101	2SC2603
	or 46367301	2SC2458
	or 48058801	2SC1740S
vQ7	46367001	2SA1115
	or 46392001	2SA1175
vQ8	46367101	2SC2603
	or 46367301	2SC2458
	or 48058801	2SC1740S
vQ9	46367101	2SC2603
	or 46367301	2SC2458
	or 48058801	2SC1740S
vQ17	46367101	2SC2603
	or 46367301	2SC2458
	or 48058801	2SC1740S
vQ19	46367101	2SC2603
	or 46367301	2SC2458
	or 48058801	2SC1740S
• Diode		
vD1	46852000	RLS-73

Parts No.	Stock No.	Description
vJW1	46741100	Cross Conductor (Chip)
vJW2	46741100	Cross Conductor (Chip)
vJW3	46741100	Cross Conductor (Chip)
vJW4	46741100	Cross Conductor (Chip)
vJW5	46741100	Cross Conductor (Chip)
vJW6	46741100	Cross Conductor (Chip)
vJW7	46741100	Cross Conductor (Chip)
vJW8	46741100	Cross Conductor (Chip)
vJW9	46741100	Cross Conductor (Chip)
vR1	46754000	470kΩ 1/8W Chip R.
vR2	46754000	470kΩ 1/8W Chip R.
vR3	46754000	470kΩ 1/8W Chip R.
vR4	46748400	2.2kΩ 1/8W Chip R.
vR5	46752800	150kΩ 1/8W Chip R.
vR6	46748400	2.2kΩ 1/8W Chip R.
vR7	46752800	150kΩ 1/8W Chip R.
vR8	46750800	22kΩ 1/8W Chip R.
vR9	46750800	22kΩ 1/8W Chip R.
vR10	46752400	100kΩ 1/8W Chip R.
vR11	46750800	22kΩ 1/8W Chip R.
vR16	46748600	2.7kΩ 1/8W Chip R.
vR17	46748400	2.2kΩ 1/8W Chip R.
vR18	46750800	22kΩ 1/8W Chip R.
vR19	46752400	100kΩ 1/8W Chip R.
vR52	46750000	10kΩ 1/8W Chip R.
vR53	46750800	22kΩ 1/8W Chip R.
vR54	46747600	1kΩ 1/8W Chip R.

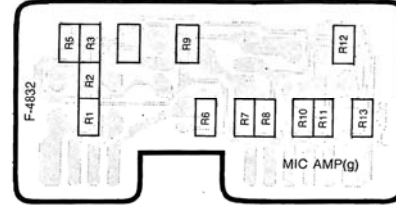
3-3. F-4832 MIC Amp. Board (Stock No. 00900301)
Component Side



Parts List

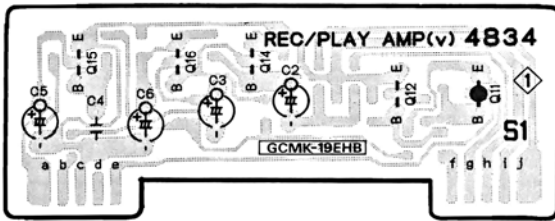
Parts No.	Stock No.	Description
•Transistor		
gQ1	46577801	2SC2320L
	or 46581701	2SC1845
gQ2	46367101	2SC2603
	or 46367301	2SC2458
	or 48058801	2SC1740S
gR1	46750000	10kΩ 1/8W Chip R.
gR2	46752800	150kΩ 1/8W Chip R.
gR3	46754400	680kΩ 1/8W Chip R.

Pattern Side < Chip Parts >



Parts No.	Stock No.	Description
gR4	46750000	10kΩ 1/8W Chip R.
gR5	46741200	2.2Ω 1/8W Chip R.
gR6	46747600	1kΩ 1/8W Chip R.
gR8	46754800	1MΩ 1/8W Chip R.
gR9	46749200	4.7kΩ 1/8W Chip R.
gR10	46752400	100kΩ 1/8W Chip R.
gR11	46750400	15kΩ 1/8W Chip R.
gR12	46750400	15kΩ 1/8W Chip R.
gR13	46747600	1kΩ 1/8W Chip R.

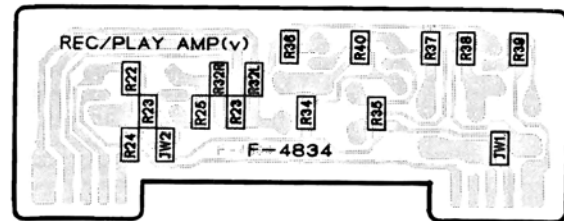
3-4. F-4834 Signal Indicator Amp. Board (Stock No. 00863701)
Component Side



Parts List

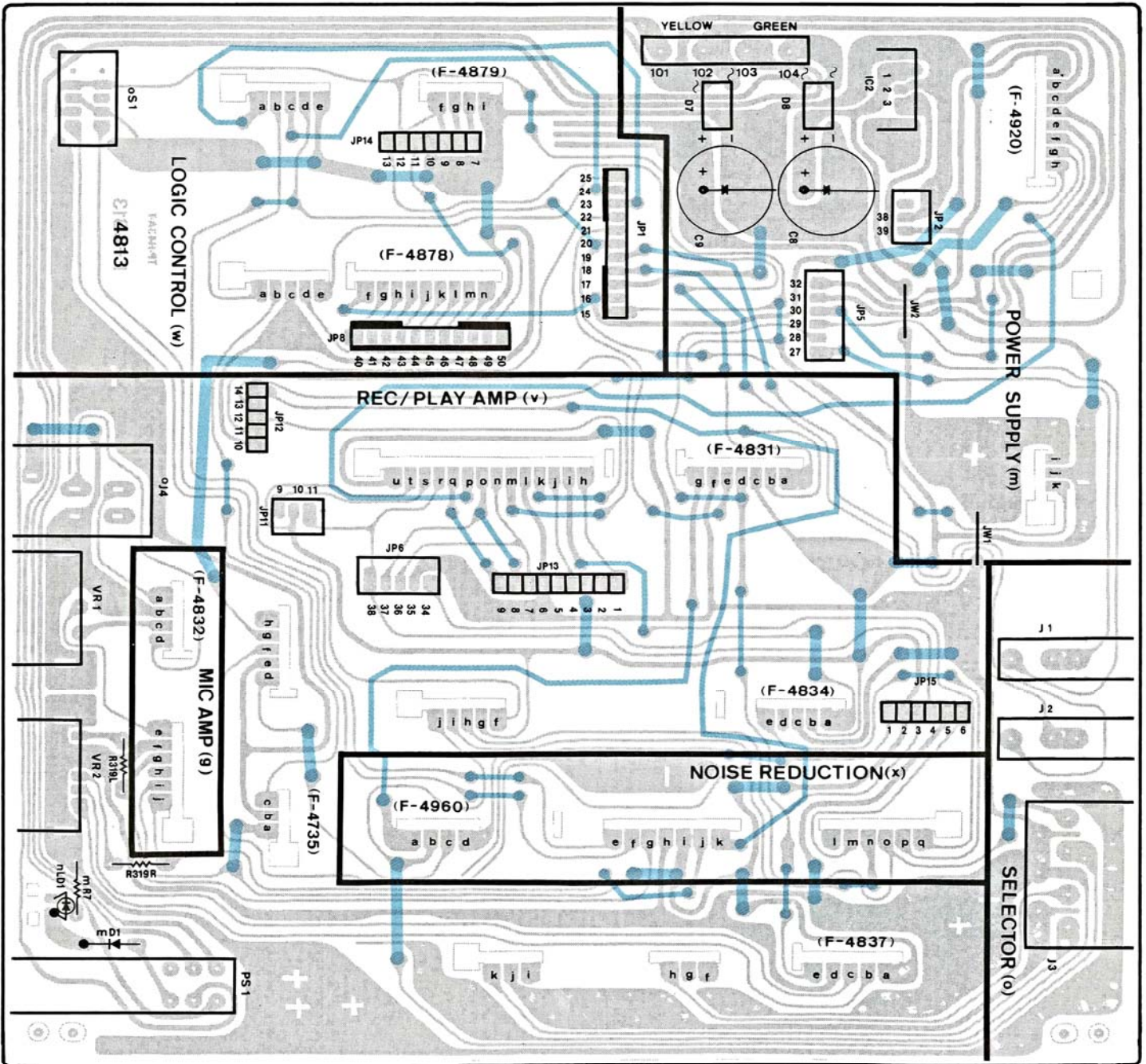
Parts No.	Stock No.	Description
•Transistor		
vQ11	46367001	2SA1115
	or 46392001	2SA1175
vQ12	46367101	2SC2603
	or 46367301	2SC2458
	or 48058801	2SC1740S
vQ14	46367101	2SC2603
	or 46367301	2SC2458
	or 48058801	2SC1740S
vQ15	46367101	2SC2603
	or 46367301	2SC2458
	or 48058801	2SC1740S
vQ16	46367101	2SC2603
	or 46367301	2SC2458
	or 48058801	2SC1740S

Pattern Side < Chip Parts >



Parts No.	Stock No.	Description
vJW1	46741100	Cross Conductor (Chip)
vJW2	46741100	Cross Conductor (Chip)
vR22	46752400	100kΩ 1/8W Chip R.
vR23	46750800	22kΩ 1/8W Chip R.
vR24	46750800	22kΩ 1/8W Chip R.
vR25	46752400	100kΩ 1/8W Chip R.
vR32	46752400	100kΩ 1/8W Chip R.
vR33	46748600	2.7kΩ 1/8W Chip R.
vR34	46752800	150kΩ 1/8W Chip R.
vR35	46750000	10kΩ 1/8W Chip R.
vR36	46748400	2.2kΩ 1/8W Chip R.
vR37	46748000	1.5kΩ 1/8W Chip R.
vR38	46747600	1kΩ 1/8W Chip R.
vR39	46746400	330Ω 1/8W Chip R.
vR40	46753600	330kΩ 1/8W Chip R.

3-5. F-4813 Mother Board (Stock No. 00863401)
Component Side



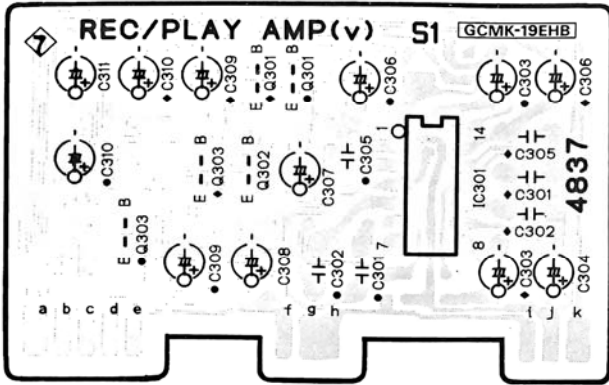
Parts List

Parts No.	Stock No.	Description
•IC		
△mIC2	46144600 or 46361500	NJM78M12A L78N12
•Diode		
△mD7	46273600	DBB10-B
△mD8	46273600	DBB10-B
mD10	03111800 or 07176400	1S1588 1S2473HS
•LED		
nLD1	46176900 or 46470200	TLS-123 SEL2210S

Parts No.	Stock No.	Description
oS1	48126800	Slide SW., DOLBY NR
oJ1	46547200	Jack, Compu Selector
oJ2	46547200	Jack, Compu Edit
oJ3	46371500	4P Terminal Board, LINE
oJ4	24306100	Jack, MIC
△pS1	48172700	Push SW., POWER
vVR1	48172800	50kΩ V.R., MIC LEVEL
vVR2	48178900	50kΩ V.R., FADER

3-6. F-4837 ALC Board (Stock No. 00863801)

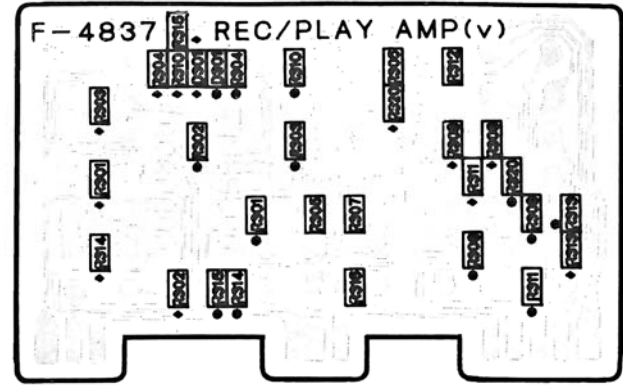
Component Side



Parts List

Parts No.	Stock No.	Description
• Transistor		
vQ301	46367101 or 46367301 or 48058801	2SC2603 2SC2458 2SC1740S
vQ302	46367101 or 46367301 or 48058801	2SC2603 2SC2458 2SC1740S
vQ303	46367101 or 46367301 or 48058801	2SC2603 2SC2458 2SC1740S
• IC		
viC301	46899000	LA3220
• Diode		
vD301	46852000	RLS-73
• Zener Diode		
vDZ1	46102100 or 46102200	05Z7 5-X 05Z7.5-Y

Pattern Side <Chip Parts>

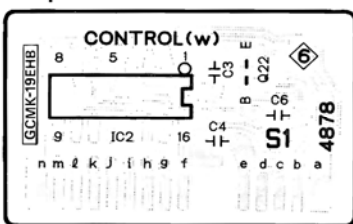


•Note: On this circuit board, the right channel is specified by "●" mark on top of the parts No.

Parts No.	Stock No.	Description
vR301	46751200	33kΩ 1/8W Chip R.
vR302	46746400	330Ω 1/8W Chip R.
vR303	46751600	47kΩ 1/8W Chip R.
vR304	46749200	4.7kΩ 1/8W Chip R.
vR305	46754800	1MΩ 1/8W Chip R.
vR306	46749200	4.7kΩ 1/8W Chip R.
vR307	46750000	10kΩ 1/8W Chip R.
vR309	46754400	680kΩ 1/8W Chip R.
vR310	46754800	1MΩ 1/8W Chip R.
vR311	46746200	270Ω 1/8W Chip R.
vR312	46746000	220Ω 1/8W Chip R.
vR313	46752400	100kΩ 1/8W Chip R.
vR314	46751600	47kΩ 1/8W Chip R.
vR315	46748400	2.2kΩ 1/8W Chip R.
vR316	46750000	10kΩ 1/8W Chip R.
vR320	46748000	1.5kΩ 1/8W Chip R.

3-7. F-4878 AMPS. Indicator Control Board (Stock No. 00864001)

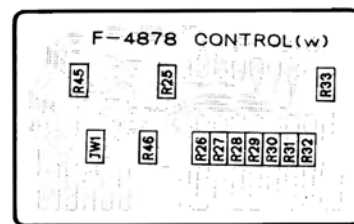
Component Side



Parts List

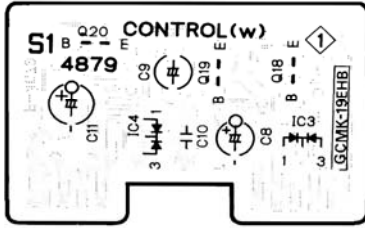
Parts No.	Stock No.	Description
• Transistor		
wQ22	46367101 or 46367301 or 48058801	2SC2603 2SC2458 2SC1740S
• IC		
wIC5	46369800	TC9138AP
wJW1	46741100	Cross Conductor (Chip)

Pattern Side <Chip Parts>



Parts No.	Stock No.	Description
wR25	46752400	100kΩ 1/8W Chip R.
wR26	46748200	1.8kΩ 1/8W Chip R.
wR27	46748200	1.8kΩ 1/8W Chip R.
wR28	46748200	1.8kΩ 1/8W Chip R.
wR29	46748200	1.8kΩ 1/8W Chip R.
wR30	46748200	1.8kΩ 1/8W Chip R.
wR31	46748200	1.8kΩ 1/8W Chip R.
wR32	46748200	1.8kΩ 1/8W Chip R.
wR33	46748200	1.8kΩ 1/8W Chip R.
wR45	46750800	22kΩ 1/8W Chip R.
wR46	46752400	100kΩ 1/8W Chip R.

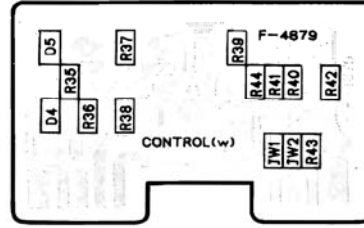
3-8. F-4879 Reverse Control Board (Stock No. 00864101)
Component Side



Parts List

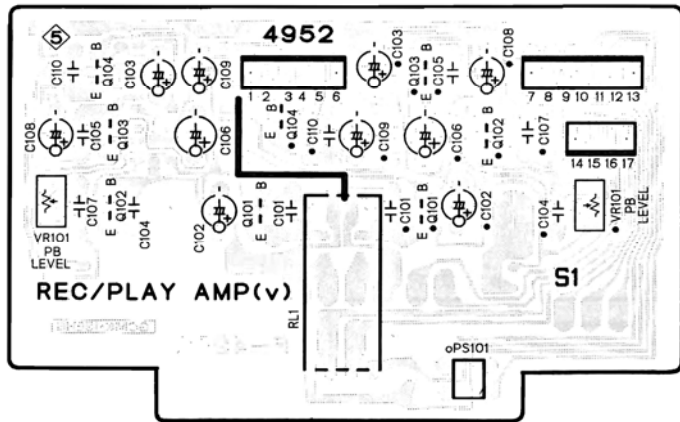
Parts No.	Stock No.	Description
• Transistor		
wQ18	46367101	2SC2603
	or 46367301	2SC2458
	or 48058801	2SC1740S
wQ19	46367001	2SA1115
	or 46392001	2SA1175
wQ20	46367101	2SC2603
	or 46367301	2SC2458
	or 48058801	2SC1740S
• Diode		
wD4	46852000	RLS-73
wD5	46852000	RLS-73
wIC3	46464000	MC921
wIC4	46836900	MC931

Pattern Side < Chip Parts >



Parts No.	Stock No.	Description
wJW2	46741100	Cross Conductor (Chip)
wJW3	46741100	Cross Conductor (Chip)
wR35	46754000	470kΩ 1/8W Chip R.
wR36	46752400	100kΩ 1/8W Chip R.
wR37	46750000	10kΩ 1/8W Chip R.
wR38	46750000	10kΩ 1/8W Chip R.
wR39	46751600	47kΩ 1/8W Chip R.
wR40	46748400	2.2kΩ 1/8W Chip R.
wR41	46751600	47kΩ 1/8W Chip R.
wR42	46749600	6.8kΩ 1/8W Chip R.
wR43	46747600	1kΩ 1/8W Chip R.
wR44	46750800	22kΩ 1/8W Chip R.
wC9	08450800	3.3μF 16V E.B.

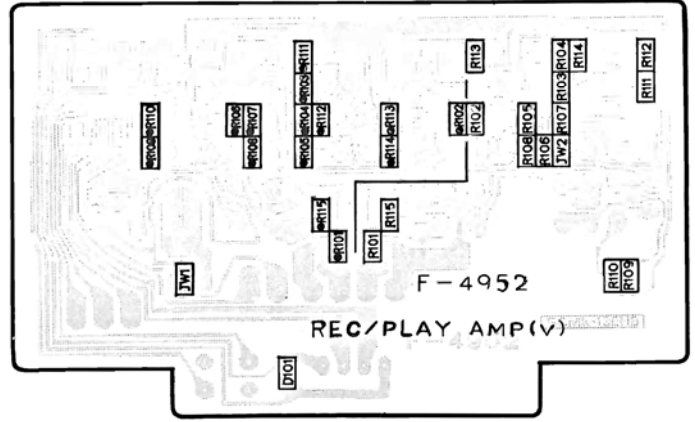
3-9. F-4952 Play Amp. Board (Stock No. 00863201)
Component Side



Parts List

Parts No.	Stock No.	Description
• Transistor		
vQ101	46359801	2SC2001
	or 48055901	2SD1468S
vQ102	46577801	2SC2320L
	or 46581701	2SC1845
vQ103	46577801	2SC2320L
	or 46581701	2SC1845
	or 46947401	2SC2459
vQ104	46367101	2SC2603
	or 46391901	2SC2785
	or 48058801	2SC1740S
• Diode		
vD101	46852000	RLS-73
vJW1	46741100	Cross Conductor (Chip)
vJW2	46741100	Cross Conductor (Chip)
vR101	46742800	10Ω 1/8W Chip R.
vR102	46749200	4.7kΩ 1/8W Chip R.

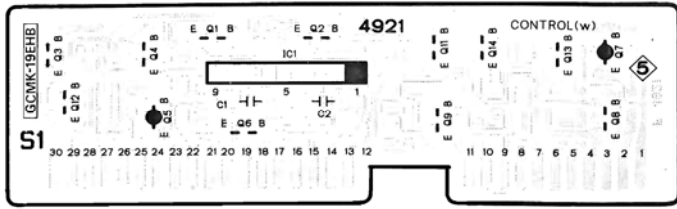
Pattern Side < Chip Parts >



•Note: On this circuit board, the left channel is specified by "●" mark on top of the parts No.

Parts No.	Stock No.	Description
vR103	46752800	150kΩ 1/8W Chip R.
vR104	46751600	47kΩ 1/8W Chip R.
vR105	46750400	15kΩ 1/8W Chip R.
vR106	46752800	150kΩ 1/8W Chip R.
vR107	46744000	33Ω 1/8W Chip R.
vR108	46747800	1.2kΩ 1/8W Chip R.
vR109	46746800	470Ω 1/8W Chip R.
vR110	46752800	150kΩ 1/8W Chip R.
vR111	46748600	2.7kΩ 1/8W Chip R.
vR112	46747600	1kΩ 1/8W Chip R.
vR113	46750000	10kΩ 1/8W Chip R.
vR114	46753200	220kΩ 1/8W Chip R.
vR115	46752400	100kΩ 1/8W Chip R.
vVR101	48078600	1kΩ S.V.R., P.B level
vS101	46133300	Push SW., F/R
vRL101	11504700 or 11504701	Relay Relay LR2A-12B

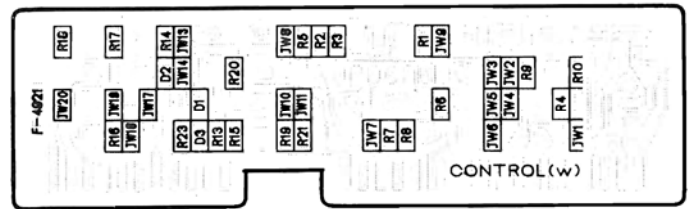
3-10. F-4921 Logic Control Circuit Board (Stock No. 00864401)
Component Side



Parts List

Parts No.	Stock No.	Description
•Transistor		
wQ1	46614101	2SC3243
wQ2	46367101	2SC2603
	or 46367301	2SC2458
	or 48058801	2SC1740S
wQ3	46359801	2SC2001
	or 46614101	2SC3243
	or 48055901	2SD1468S
wQ4	46367101	2SC2603
	or 46367301	2SC2458
	or 48058801	2SC1740S
wQ5	46359701	2SA952
	or 46614001	2SA1283
wQ6	46367101	2SC2603
	or 46367301	2SC2458
	or 48058801	2SC1740S
wQ7	46367001	2SA1115
	or 46392001	2SA1175
wQ8	46367101	2SC2603
	or 46367301	2SC2458
	or 48058801	2SC1740S
wQ9	46367101	2SC2603
	or 46367301	2SC2458
	or 48058801	2SC1740S
wQ11	46367101	2SC2603
	or 46367301	2SC2458
	or 48058801	2SC1740S
wQ12	46367101	2SC2603
	or 46367301	2SC2458
	or 48058801	2SC1740S
wQ13	46367101	2SC2603
	or 46367301	2SC2458
	or 48058801	2SC1740S
wQ14	46367101	2SC2603
	or 46367301	2SC2458
	or 48058801	2SC1740S
•IC		
wIC1	46149600	BA6208

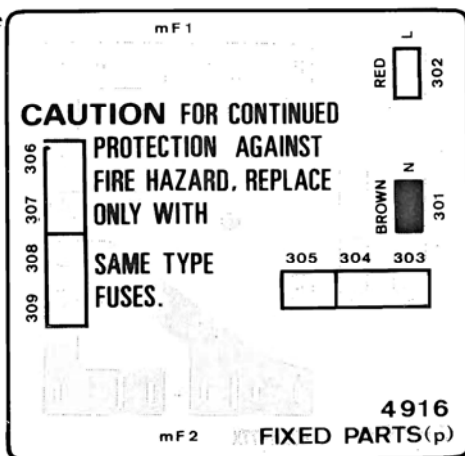
Pattern Side < Chip Parts >



Parts No.	Stock No.	Description
wD2	46852000	RLS-73
wD3	46852000	RLS-73
wJW1	46741100	Cross Conductor (Chip)
wJW2	46741100	Cross Conductor (Chip)
wJW3	46741100	Cross Conductor (Chip)
wJW4	46741100	Cross Conductor (Chip)
wJW5	46741100	Cross Conductor (Chip)
wJW6	46741100	Cross Conductor (Chip)
wJW7	46741100	Cross Conductor (Chip)
wJW8	46741100	Cross Conductor (Chip)
wJW9	46741100	Cross Conductor (Chip)
wJW10	46741100	Cross Conductor (Chip)
wJW11	46741100	Cross Conductor (Chip)
wJW13	46741100	Cross Conductor (Chip)
wJW14	46741100	Cross Conductor (Chip)
wJW17	46741100	Cross Conductor (Chip)
wJW18	46741100	Cross Conductor (Chip)
wJW19	46741100	Cross Conductor (Chip)
wJW20	46741100	Cross Conductor (Chip)
wR1	46748000	1.5kΩ 1/8W Chip R.
wR2	46747600	1kΩ 1/8W Chip R.
wR3	46748000	1.5kΩ 1/8W Chip R.
wR4	46750000	10kΩ 1/8W Chip R.
wR5	46751600	47kΩ 1/8W Chip R.
wR6	46742400	6.8Ω 1/8W Chip R.
wR7	46754800	1MΩ 1/8W Chip R.
wR8	46749200	4.7kΩ 1/8W Chip R.
wR9	46748400	2.2kΩ 1/8W Chip R.
wR10	46750000	10kΩ 1/8W Chip R.
wR11	46747600	1kΩ 1/8W Chip R.
wR12	46750000	10kΩ 1/8W Chip R.
wR13	46749200	4.7kΩ 1/8W Chip R.
wR14	46750800	22kΩ 1/8W Chip R.
wR15	46750800	22kΩ 1/8W Chip R.
wR16	46749200	4.7kΩ 1/8W Chip R.
wR17	46750800	22kΩ 1/8W Chip R.
wR18	46752400	100kΩ 1/8W Chip R.
wR19	46751600	47kΩ 1/8W Chip R.
wR20	46750800	22kΩ 1/8W Chip R.
wR23	46751600	47kΩ 1/8W Chip R.

3-11. F-4916 Fuse Board

Component Side



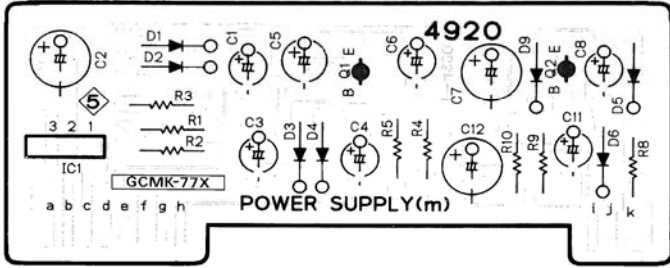
Parts List

Parts No.	Stock No.	Description
△mF1	07184600	AC Fuse, 0.8A <EU, BS, AS>
△mF2	07184300	AC Fuse, 0.4A <EU, BS, AS>

3-12. F-4920 Power Supply Circuit Board

(Stock No. 00864301)

Component Side

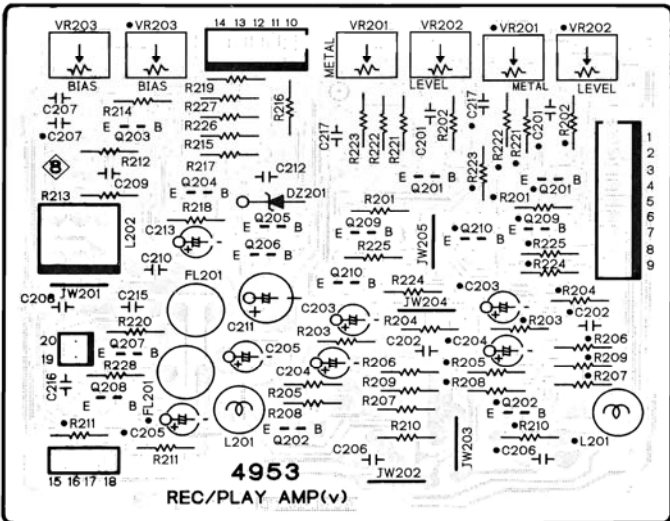


Parts List

Parts No.	Stock No.	Description
• Transistor		
△mQ1	46367001 or 46392001	2SA1115 2SA1175
△mQ2	46367001 or 46392001	2SA1115 2SA1175
• IC		
△mIC1	46144200 or 46359400	NJM78M05A L78N05
• Diode		
mD1	03117600 or 46086000	1S2473T77 1S1588TP-3
mD2	03117600 or 46086000	1S2473T77 1S1588TP-3
mD3	03117600 or 46086000	1S2473T77 1S1588TP-3
mD4	03117600 or 46086000	1S2473T77 1S1588TP-3
mD6	03117600 or 46086000	1S2473T77 1S1588TP-3
mD9	03117600 or 46086000	1S2473T77 1S1588TP-3

3-13. F-4953 REC Amp. Board (Stock No. 00863301)

Component Side

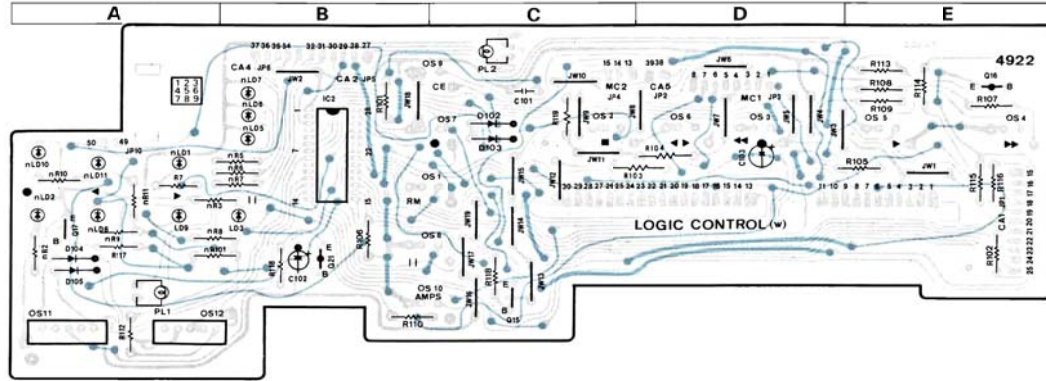


•Note: On this circuit board, the right channel is specified by "●" mark on top of the parts No.

Parts List

Parts No.	Stock No.	Description
• Transistor		
vQ201	46367101 or 46391901 or 48058801	2SC2603 2SC2785 2SC1740S
vQ202	46367101 or 46391901 or 48058801	2SC2603 2SC2785 2SC1740S
vQ203	46725801 or 48061801	2SC1627A 2SC3244
vQ204	46614101	2SC3243
vQ205	46367101 or 46391901 or 48058801	2SC2603 2SC2785 2SC1740S
vQ206	46367101 or 46391901 or 48058801	2SC2603 2SC2785 2SC1740S
vQ209	46367101 or 46391901 or 48058801	2SC2603 2SC2785 2SC1740S
vQ210	46367101 or 46391901 or 48058801	2SC2603 2SC2785 2SC1740S
• Zener Diode		
vDZ201	46109300 or 46109400	05Z3.0-X 05Z3.0-Y
vC208	46657000	3900pF 100V F.C.
vFL201	42904400	Peaking Coil
vL201	48121500	Inductor 2.7mH
vL202	46362200	Bias OSC Coil
vVR201	10354100	47kΩ (B) S.V.R., METAL
vVR202	10353900	22kΩ (B) S.V.R., LEVEL
vVR203	10354300	100kΩ (B) S.V.R., BIAS

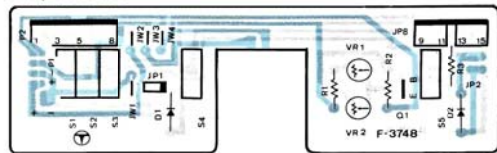
3-14. F-4922 Input Control Key Board (Stock No. 00864501)
Component Side



Parts List

Parts No.	Stock No.	Description	Parts No.	Stock No.	Description
•LED			oS8	46396700	Push SW., PAUSE
nLD2	46176900	TLS-123	oS9	46396700	Push SW., Compu Edit
or 46470200	SEL2210S		oS10	46396700	Push SW., AMPS
nLD3	07251000	TLV-123	oS11	46178400	Slide SW., PLAY/OFF/REC
or 46470400	SEL2910A		oS12	46178400	Slide SW., REVERSE MODE
nLD4	07250900	TLG-123A			
or 46470300	SEL2410E		•Transistor		
nLD5	46176900	TLS-123	wQ15	46359801	2SC2001
or 46470200	SEL2210S		or 46614101	2SC3243	
nLD6	07251000	TLV-123	or 48055901	2SD1468S	
or 46470400	SEL2910A		wQ16	46367001	2SA1115
nLD7	07250900	TLG-123A	or 46392001	2SA1115	
or 46470300	SEL2410E		wQ17	46367101	2SC2603
nLD8	07250900	TLG-123A	or 46367301	2SC2458	
or 46470300	SEL2410E		or 48058801	2SC1740S	
nLD9	07250900	TLG-123A	wQ21	46367001	2SA1115
or 46470300	SEL2410E		or 46392001	2SA1115	
nLD10	46176900	TLS-123	•IC		
or 46470200	SEL2210S		wIC2	48175500	TC9310N-070
nLD11	46176900	SEL2210S			
or 46470200	SEL2210S		•Diode		
nPL1	48191900	Pilot Lamp 12V 0.15A	wD102	03117600	1S2473T77
nPL2	46286600	Pilot Lamp 12V 0.15A	or 46086000	1S1588TP-3	
oS1	46396700	Push SW., REC MUTE	wD103	03117600	1S2473T77
oS2	46396700	Push SW., STOP	or 46086000	1S1588TP-3	
oS3	46396700	Push SW.,	wD104	03117600	1S2473T77
oS4	46396700	Push SW.,	or 46086000	1S1588TP-3	
oS5	46396700	Push SW., PLAY	wD105	03117600	1S2473T77
oS6	46396700	Push SW., DIRECTION	or 46086000	1S1588TP-3	
oS7	46396700	Push SW., REC	wC101	46695400	0.012μF 50V F.C.

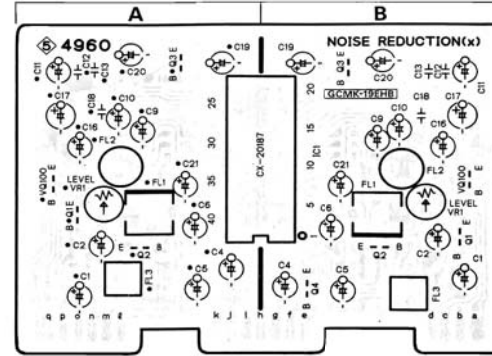
3-15. F-3748 Tape Selector Board
Component Side



Parts List

Parts No.	Stock No.	Description
•Diode		
tD1	03111600	1S2473
tD2	03111600	1S2473
tS1	47292710	Leaf SW., half
tS2	47292710	Leaf SW., REC Prevention (A Side)
tS3	47292710	Leaf SW., tape sel. HIGH
tS4	47292710	Leaf SW., tape sel. METAL
tS5	47292710	Leaf SW., REC Prevention (B Side)

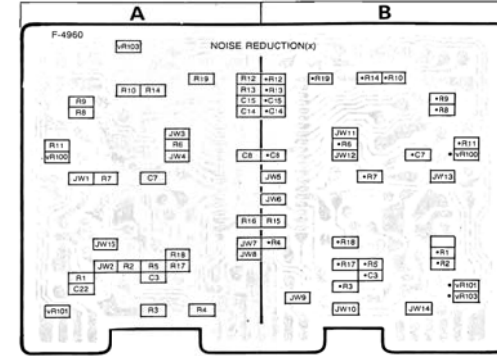
3-16. F-4960 Noise Reduction Board (Stock No. 00873601)
Component Side



Parts List

Parts No.	Stock No.	Description
•Transistor		
xQ1	46367101	2SC2603
or 46367301	2SC2458	
or 48058801	2SC1740S	
xQ2	46367101	2SC2603
or 46367301	2SC2458	
or 48058801	2SC1740S	
xQ3	46367101	2SC2603
or 46367301	2SC2458	
or 48058801	2SC1740S	
xQ4	48719900	DTC124
xQ100	46367101	2SC2603
or 46367301	2SC2458	
or 48058801	2SC1740S	
•IC		
xIC1	48179900	CX-20187
xJW1	46741100	Cross Conductor (Chip)
xJW2	46741100	Cross Conductor (Chip)
xJW3	46741100	Cross Conductor (Chip)
xJW4	46741100	Cross Conductor (Chip)
xJW5	46741100	Cross Conductor (Chip)
xJW6	46741100	Cross Conductor (Chip)
xJW7	46741100	Cross Conductor (Chip)
xJW8	46741100	Cross Conductor (Chip)
xJW9	46741100	Cross Conductor (Chip)
xJW10	46741100	Cross Conductor (Chip)
xJW11	46741100	Cross Conductor (Chip)
xJW12	46741100	Cross Conductor (Chip)
xJW13	46741100	Cross Conductor (Chip)
xJW14	46741100	Cross Conductor (Chip)
xJW15	46741100	Cross Conductor (Chip)
xR1	46753200	220kΩ 1/8W Chip R.

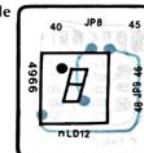
Pattern Side < Chip Parts >



•Note: On this circuit board, the left channel is specified by "●" mark on top of the parts No.

Parts No.	Stock No.	Description
xR2	46748400	2.2kΩ 1/8W Chip R.
xR3	46749400	5.6kΩ 1/8W Chip R.
xR4	46749200	4.7kΩ 1/8W Chip R.
xR5	46754800	1MΩ 1/8W Chip R.
xR6	46746700	430Ω 1/8W Chip R.
xR7	46748500	2.4kΩ 1/8W Chip R.
xR8	46749300	5.1kΩ 1/8W Chip R.
xR9	46749600	6.9kΩ 1/8W Chip R.
xR10	46747200	680Ω 1/8W Chip R.
xR11	46751600	4.7kΩ 1/8W Chip R.
xR12	46748600	2.7kΩ 1/8W Chip R.
xR13	46747600	1kΩ 1/8W Chip R.
xR14	46753200	220kΩ 1/8W Chip R.
xR15	46752400	100kΩ 1/8W Chip R.
xR16	46750800	22kΩ 1/8W Chip R.
xR17	46749400	5.6kΩ 1/8W Chip R.
xR18	46748600	2.7kΩ 1/8W Chip R.
xR19	46745200	100Ω 1/8W Chip R.
xR100	46748600	2.7kΩ 1/8W Chip R.
xR101	46748400	2.2kΩ 1/8W Chip R.
xR103	46748400	2.2kΩ 1/8W Chip R.
xC3	46794800	2700pF 50V Chip C.
xC7	46779900	560pF 50V Chip C.
xC8	46795100	4700pF 50V Chip C.
xC14	46795300	6800pF 50V Chip C.
xC15	46795500	10000pF 50V Chip C.
xC22	46778100	100pF 50V Chip C.
xFL1	46177500	DOLBY Filter
or 46177501	DOLBY Filter	
xFL2	48193300	DOLBY Filter (SQ)
xVR1	46633700	1kΩ (B) S.V.R., Dolby P.3. Level

3-17. F-4966 AMPS. Indicator Board
Component Side



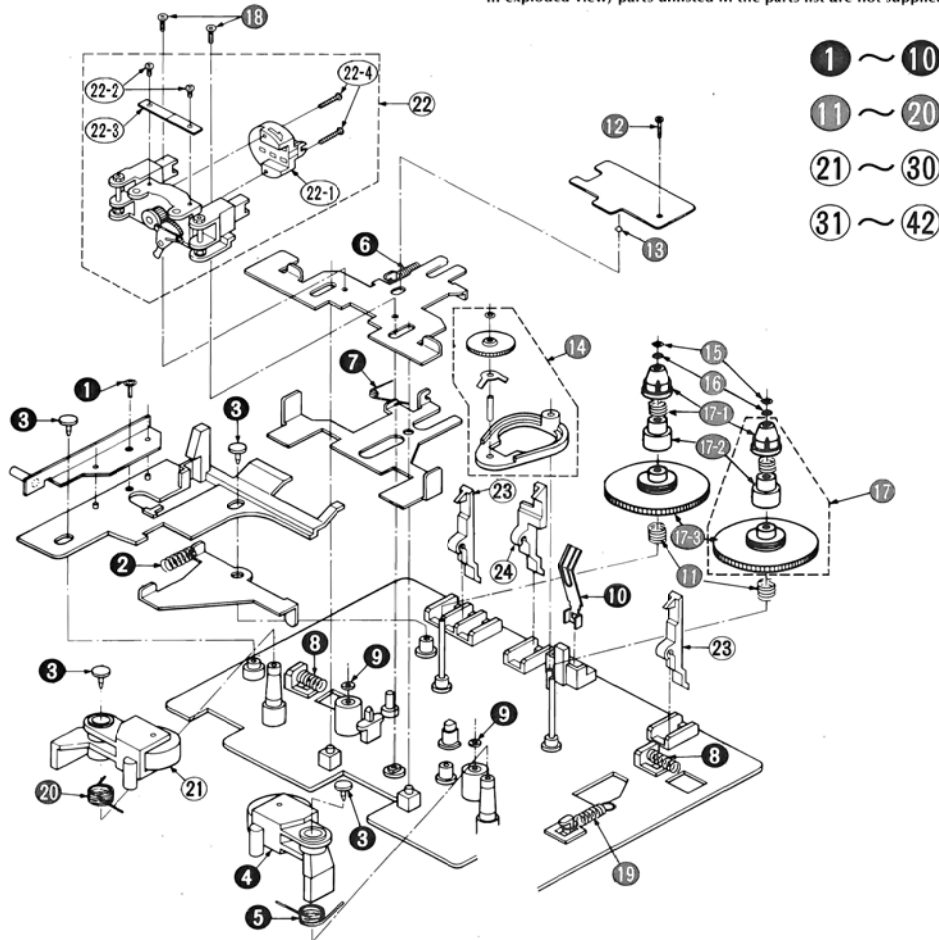
Parts List

Parts No.	Stock No.	Description
•LED		
nLD12	46917700	GL-8P03D

4. EXPLODED VIEW OF MECHANISM ASS'Y & PARTS LIST

4-1. Front View of Mechanism Ass'y

• Though every part included in mechanism ass'y is numbered in exploded view, parts unlisted in the parts list are not supplied.

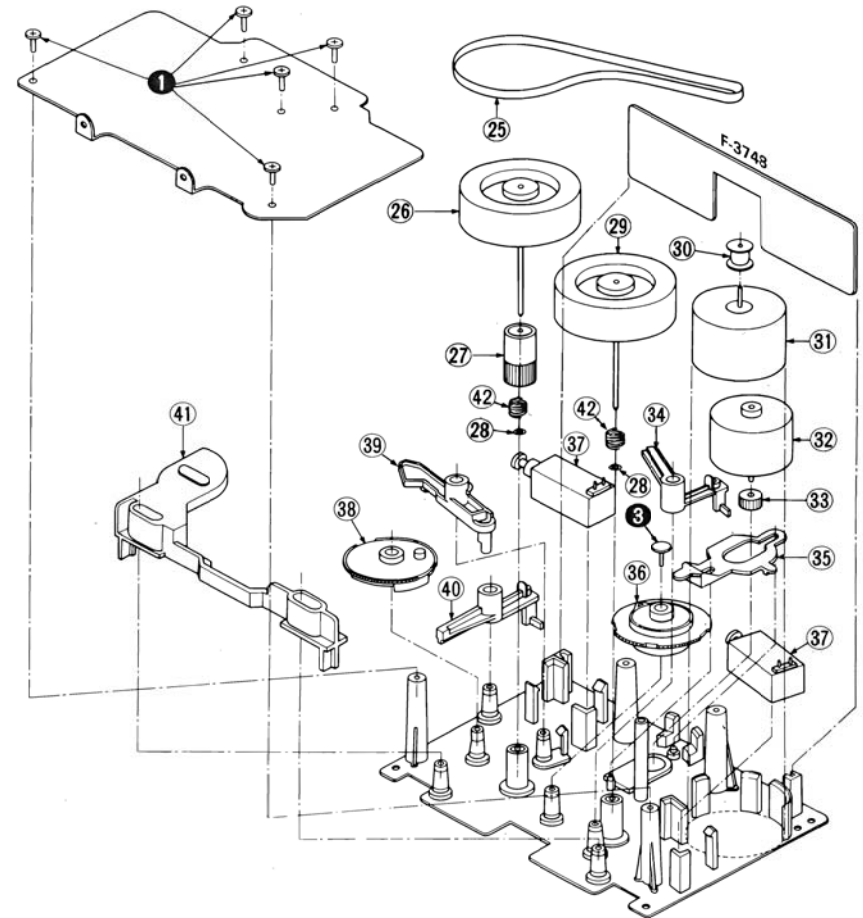


Parts List

Parts No.	Stock No.	Description
1	48005900	Tapping Screw, M3.0x8
2	47644500	Spring, eject
3	47420900	Plastic Tack
4	47281810	Pinch Roller (R) Ass'y
5	47405500	Spring, pinch roller (R) ass'y
6	47406200	Spring, head base
7	47405600	Spring, Slide base
8	47668600	Spring, plunger solenoid
9	47404700	Nylon Washer, d=2.5
10	47293510	Spring, half
11	47709610	Spring, reel
12	13127800	Binding Head Screw, M2 x 12
13	47404900	Steel Ball, φ = 2.0

Parts No.	Stock No.	Description
14	47405000	Arm Ass'y
15	47404800	Washer, d = 1.6
16	47497100	Washer, d = 2.0
17	47835500	Reel Gear Ass'y
17-1	—	Sprocket
17-2	—	Damper, reel
17-3	—	Reel Gear
18	46398800	Screw, M2 x 6
19	47406300	Spring, push arm
20	47405400	Spring, pinch roller (L) ass'y
21	47281910	Pinch Roller (L) Ass'y
22	16610301	REC/PB & Erase Head Ass'y (with sensor)

4-2. Rear View of Mechanism Chassis



Parts No.	Stock No.	Description
22-1	46858000	REC/PB & Erase Head
22-2	47835100	Screw, M2.0 x 5
22-3	47289200	Spring Plate, azimuth
22-4	46731300	Screw, M1.4 x 6
23	47723010	Sensor Arm A2
24	47292520	Sensor Arm B
25	47405200	Capstan Belt
26	47282900	Flywheel (R) Ass'y
27	47281210	Gear, flywheel ass'y
28	47404600	Washer, d = 2.5
29	47283000	Flywheel (L) Ass'y
30	47283200	Pulley
31	46737400	Capstan Motor

Parts No.	Stock No.	Description
32	46737500	Reel Motor
33	47293110	Gear, reel motor
34	47281610	Lock Arm (A)
35	47293810	Arm (B)
36	47283830	Assist Gear (A)
37	47292610	Plunger Solenoid
38	47283910	Assist Gear (B)
39	47283710	Push Arm
40	47281710	Lock Arm (B)
41	47284200	FWD-REV Change Plate
42	47530000	Spring A, Flywheel

5. MAIN PARTS REMPLACEMENT

A. Mechanism Assembly

- 1) Remove the bonnet and the bottom plate.
- 2) Remove the righthand side panel.
- 3) Extract the mechanism assembly and the six wire connectors attached to the boards F-6478 and F-6479.
- 4) Remove the tape counter belt from the tape counter.
- 5) Remove the damper assembly from the damper holder, while holding the damper holder by the hand, at positions A and B as shown in Figs. 5-1 and 5-2.
- 6) Remove the four screws S1 to S4 fixing the mechanism assembly to the front panel assembly.
(See Top View on page 15.)
- 7) Pull the mechanism assembly toward you.

Fig. 5-1

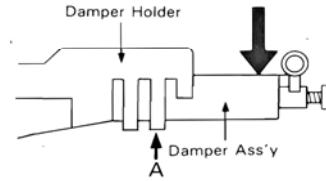
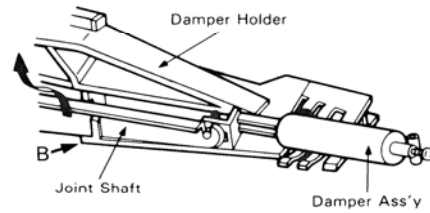


Fig. 5-2



B. Pinch Roller Assembly (4) and (21)

(See Mechanism Exploded View on page 13.)

- 1) Remove the mechanism assembly from the set.
- 2) Remove the plastic tack fastening the pinch roller assembly.
- 3) Extract the pinch roller assembly.

C. Reel Gear (17)

- 1) Remove the mechanism assembly from the set.
- 2) Remove the washers (15) and (16) fastening the reel gear.

D. Capstan Motor (31), Reel Motor (32), Capstan Belt (25), Flywheels (26), and Plunger (37)

(See Mechanism Exploded View on page 13.)

- 1) Remove the mechanism assembly from the set.
- 2) Remove the boards F-4678 and F-4679 from the mechanism chassis.
- 3) Remove the sub-chassis.
- 4) Remove other parts.

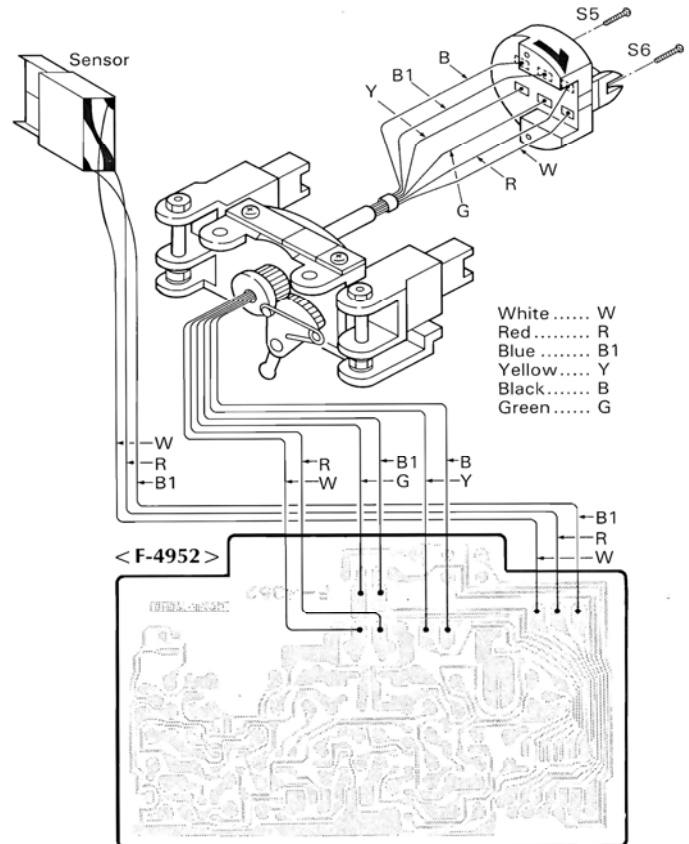
* When reassembling these removed parts, take the following precaution: Assemble the push arm (A) so that these parts are mutually positioned as shown in 7-2 on page 16.

Unless positioned correctly, the mechanism assembly may be operated erroneously. Remember that if the push arm (A) is positioned on the assist gear (A), the eject arm may be locked.

E. Record/Play Head (22-1) (See Mechanism Exploded View)

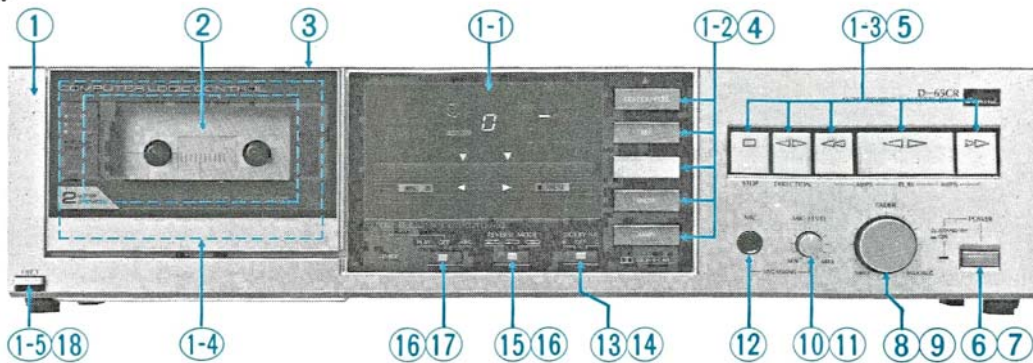
- 1) Remove the mechanism assembly from the set.
- 2) Remove two screws S5 and S6 fixing the head. (See Fig. 5-3)
- 3) Remove the leads connected to the head.

Fig. 5-3

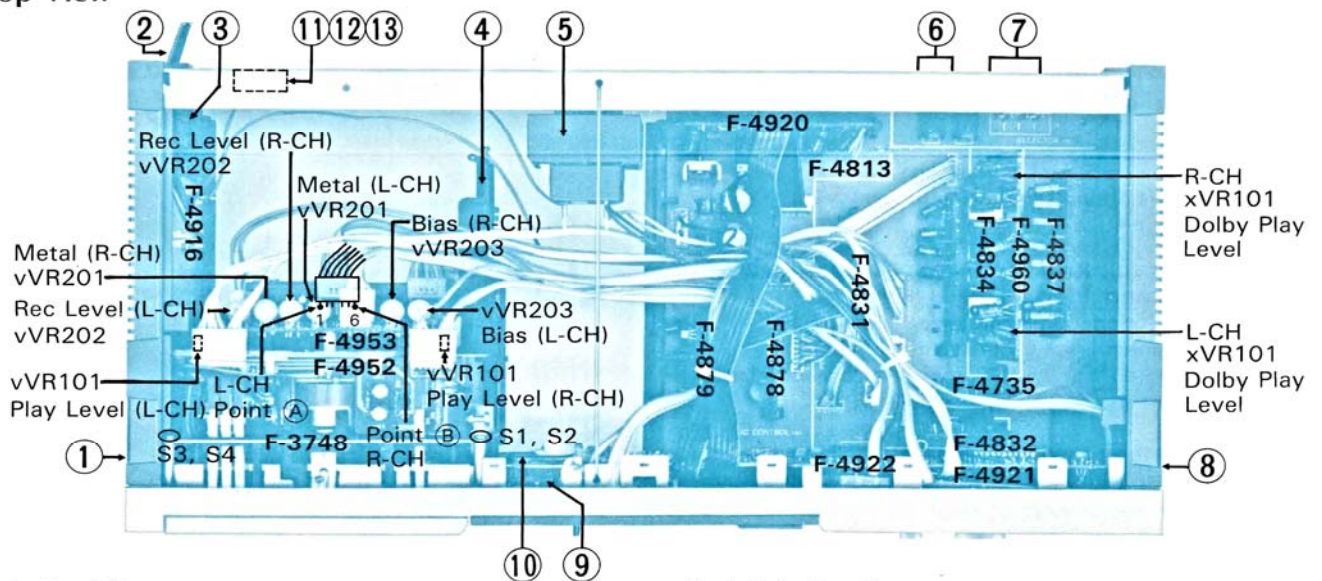


6. OTHER PARTS

6-1. Front View



6-2. Top View



Parts List < Front View >

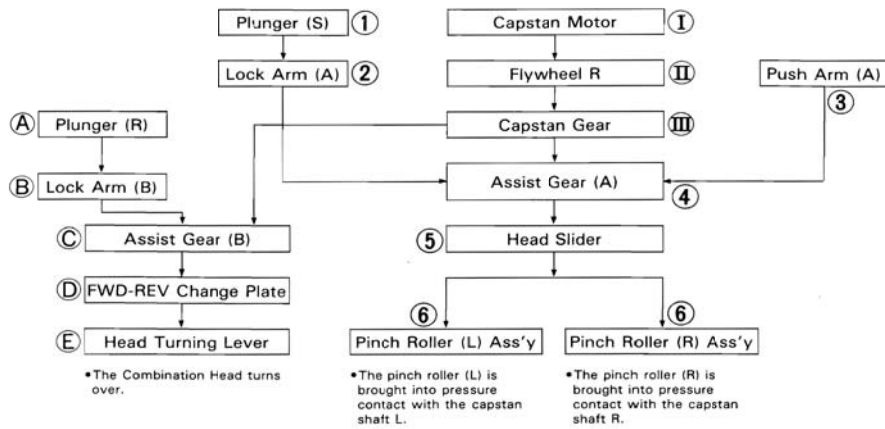
Parts No.	Stock No.	Description
1	47791100	Front Panel Ass'y (Silver Model)
	47791200	Front Panel Ass'y (Black Model)
1-1		Stage Display Parts
1-2		Push Switch Knob
1-3		Push Switch Knob
1-4	47678700	Cassette Well Ass'y
1-5	47776100	Knob, eject (Silver Model)
	47776200	Knob, eject (Black Model)
2	47790700	Lid Ass'y (Silver Model)
	47790800	Lid Ass'y (Black Model)
3	47823500	Bonnet (Silver Model)
	47874700	Bonnet (Black Model)
△ 6	48172700	Push SW., POWER
7	47747000	Knob, power sw. (Silver Model)
	47747100	Knob, power sw. (Black Model)
8	48178900	FADER VR., 50kΩ
9	47794500	Knob, FADER VR (Silver Model)
	47511910	Knob, FADER VR (Black Model)
10	48172800	MIC LEVEL Volume, 50kΩ
11	47794600	Knob, MIC LEVEL Volume, 50kΩ (Silver Model)
	07895410	Knob, MIC LEVEL Volume, 50kΩ (Black Model)
12	24306100	MIC Jack
13	48126800	Slide SW., DOLBY NR
14	47704000	Knob, DOLBY NR
15	46178400	Slide SW., REVERSE MODE
16	47799800	Knob, REVERSE MODE/TIMER
17	46168400	Slide SW., TIMER
18	47644500	Spring, eject

Parts List < Top View >

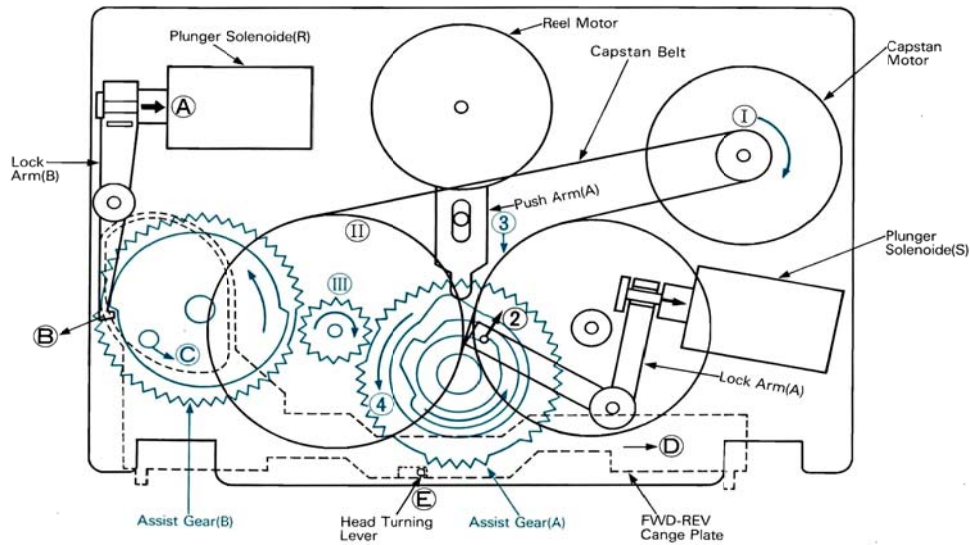
Parts No.	Stock No.	Description
1	47768800	Left Side Panel Ass'y (Silver Model)
	47874900	Left Side Panel Ass'y (Black Model)
△ 2	38005400	Power Supply Cord <<XX, XX-V, CSA>>
△	38004700	Power Supply Cord <>
△	38004500	Power Supply Cord <<EU>>
△	38004300	Power Supply Cord <<BS>>
△	07204200	Power Supply Cord <<AS>>
3	47157300	AC Cord Cover
4	48126700	Damper Ass'y
△ 5	15019801	Power Transformer <<XX>>
△	15019802	Power Transformer <<UL, CSA>>
△	15019805	Power Transformer <<EU, BS, AS>>
△	15019809	Power Transformer <<XX-V>>
6	46547200	1 Pin Jack, Compu Selector/Edit
7	46371500	4P Terminal Board
8	47768700	Right Side Panel Ass'y (Silver Model)
	47874800	Right Side Panel Ass'y (Black Model)
9	48173000	Tape Counter
10	47768200	Counter Belt
△ 11	07204700	Slide SW., Voltage Selector <<EU, BS, AS>>
△ 12	48175400	Socket, Voltage Selector <<XX-V>>
△ 13	48175200	Voltage Selector Plug <<XX-V>>

7. OPERATIONS OF PICH ROLLER & COMBINATION HEAD

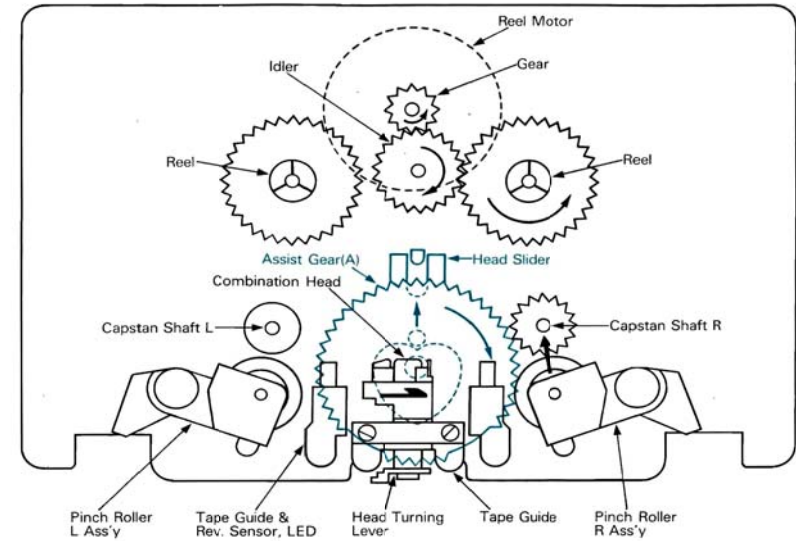
7-1. Torque Transportation Flowchart



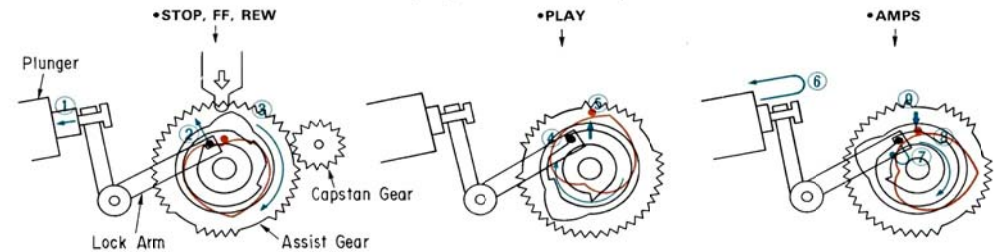
7-2. Rear View of Mechanism Chassis



7-3. Front View of Mechanism Chassis

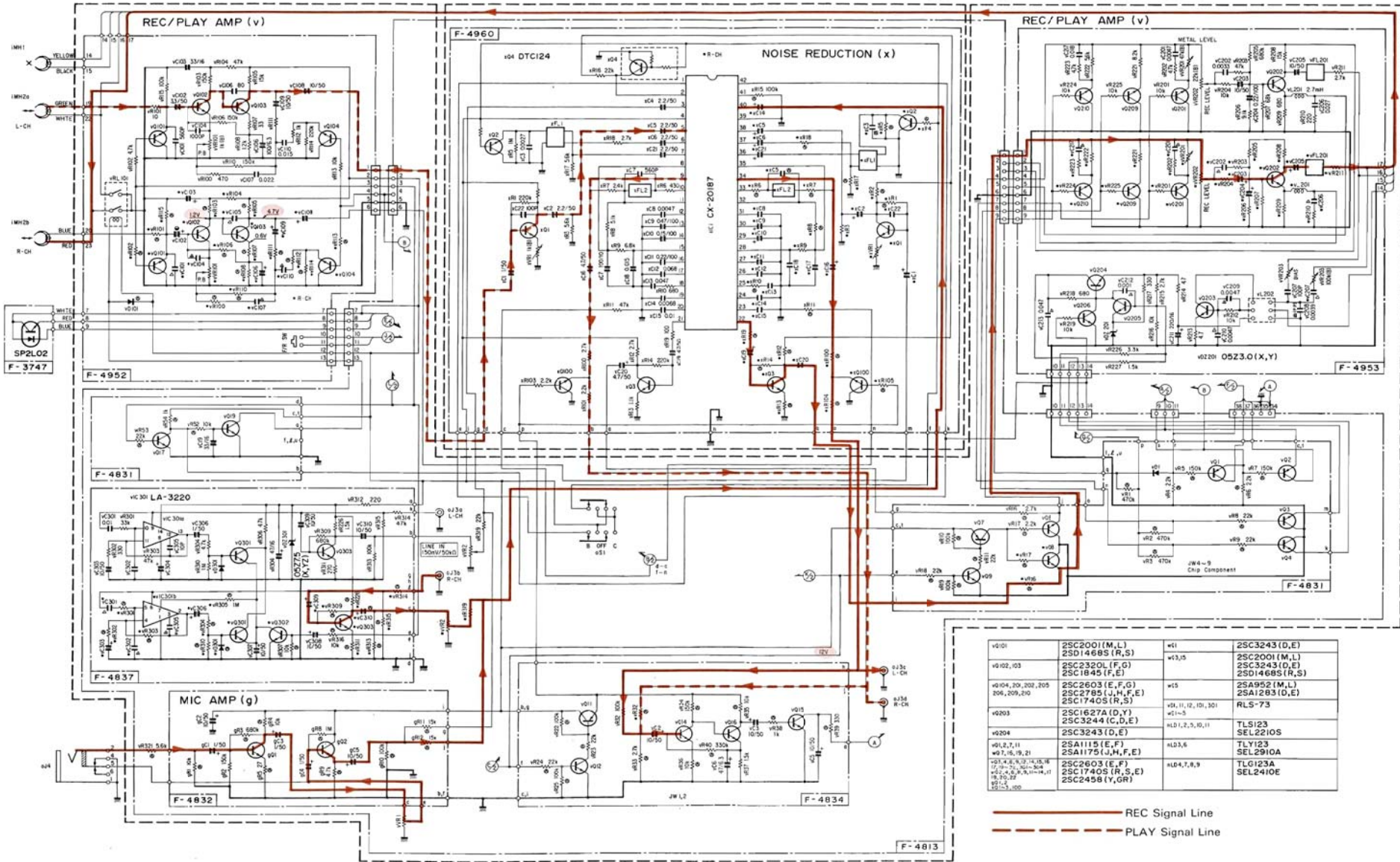


7-4. Cam Positions in the Modes of PLAY, FF, REW & STOP



8. SCHEMATIC DIAGRAM 8-1. Audio Amp. Section

• Design and specifications subject to change without notice for improvement.
 • La présentation et les spécifications sont susceptibles d'être modifiées sans préavis par suites d'améliorations éventuelles.
 • Änderungen, die dem technischen Fortschritt dienen, bleiben vorbehalten.



v010	25C2001 (M,L) 25D1468S (R,S)	v11	25C3243 (D,E)
v012, 03	25C2320L (F,G) 25C1845 (F,E)	v13, 5	25C2001 (M,L) 25C3243 (D,E) 25D1468S (R,S)
v014, 20, 202, 205 206, 209, 210	25C2603 (E,F,G) 25C2785 (J,H,F,E) 25C1740S (R,S)	v15	25A952 (M,L) 25A1283 (D,E)
v203	25C1627A (D,Y) 25C3244 (C,D,E) 25C3243 (D,E)	v1-1-5	25A1283 (D,E) R5-73
v204	25C3243 (D,E)	v1-1-12, 101, 301	TL5123 SEL2210S
v1, 2, 7, 11 v1, 15, 19, 21	25A1115 (E,F) 25A1175 (J,H,F,E)	v1-1-3, 6	TLY123 SEL2910A
v14, 18, 23, 24, 18 v1, 21, 201, 304 v1, 30, 32 v1-1-1, 100	25C2603 (E,F) 25C1740S (R,S,E) 25C2458 (Y,G,R)	v1-4, 7, 8, 9	TLG123A SEL2410E

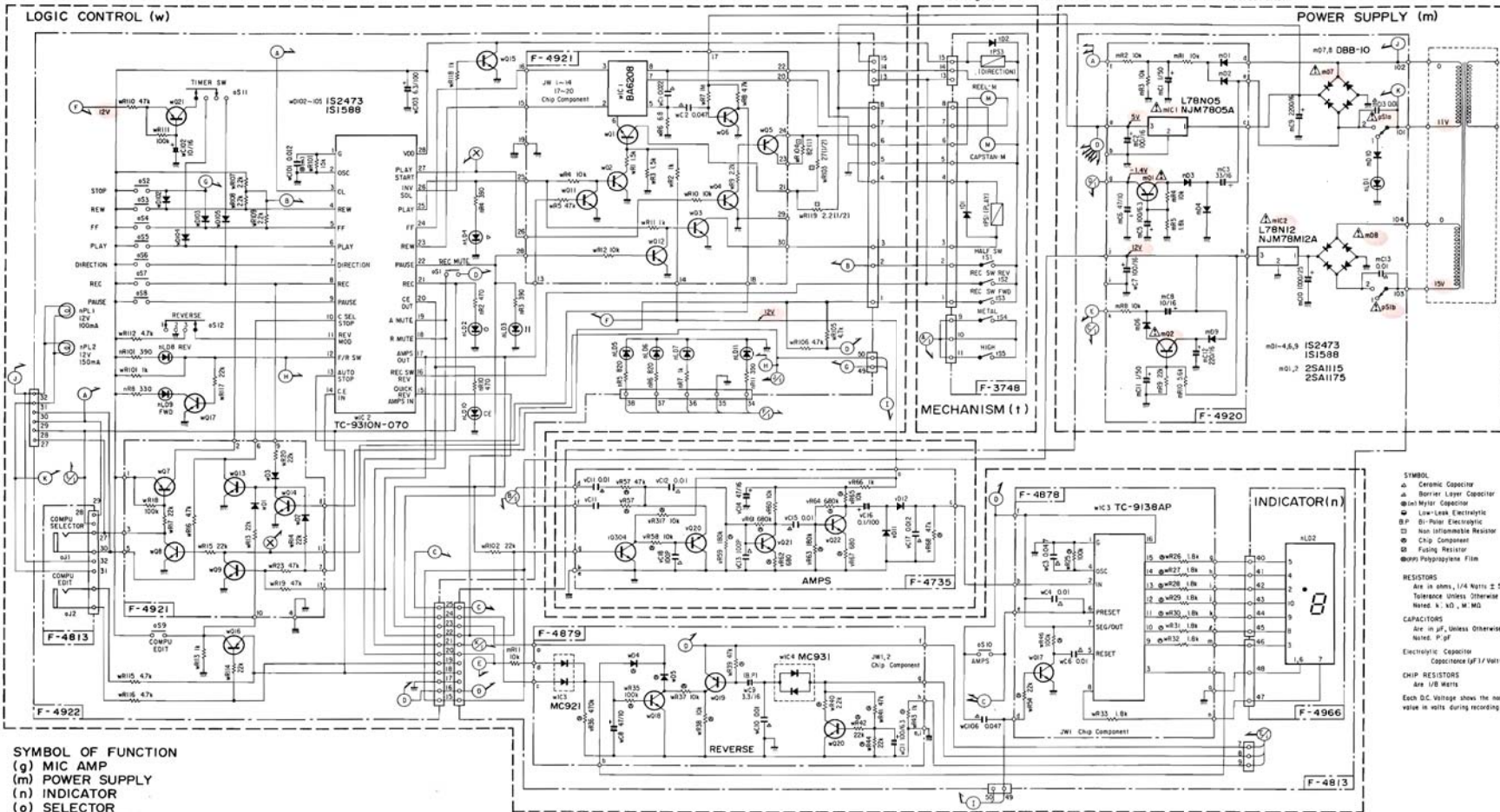
— REC Signal Line
 - - - PLAY Signal Line

- 25A952 25A1115
- 25A1283 25C2458
- 25C1627 25C2459
- 25C1845 25C1740
- 25C2001 25C2785
- 25C2320 25D1468
- 25C3243 25C2603
- 25C3244
- 25A1175
- 25C1740
- 25C2785
- 25D1468
- DTC124
- BA6208
- L78N05
- L78N12
- NJM78M05A
- NJM78M12A
- TC-9310N-070
- CX20187
- LA3220
- TC9138AP
- Det or 3rd or 4th
- 05Z3.0 (X,Y)
- 08B10-B
- MC921
- RL573
- MC931
- 151888
- 152473HS
- 05Z3.0
- 05Z7.5X
- SEL2210S
- SEL2410E
- SEL2810A
- TLG123
- TL5123
- TLV123

1
2
3
4
5

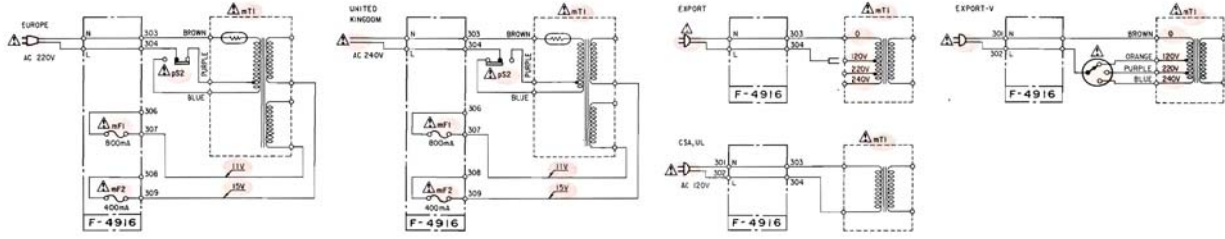
8-2. Logic Control Section

• Design and specifications subject to change without notice for improvement.
• La présentation et les spécifications sont susceptibles d'être modifiées sans préavis par suites d'améliorations éventuelles.
• Änderungen, die dem technischen Fortschritt dienen, bleiben vorbehalten.



- SYMBOL OF FUNCTION
(g) MIC AMP
(m) POWER SUPPLY
(n) INDICATOR
(o) SELECTOR
(p) FIXED PARTS
(f) MECHANISM
(v) REC/PLAY AMP
(w) LOGIC CONTROL
(x) NOISE REDUCTION

⚠ is Safety Part
Use only replacement parts recommended by the manufacturer.



- 25A952, 25A1115, 25A1383, 25C2458, 25C1627, 25C2459, 25C1845, 25C2603, 25C2001, 25C2459, 25C2320, 25C3243, 25C3244, 25C3244, 25A1175, 25C1740, 25C2785, 25D1468, 25C3244, DTC124, BA6208, L78N05, L78N12, NJM78M05A, NJM78M12A, TC-9310N-070, CX20187, LA3220, TC9138AP, DBB10-B, MC921, RLS73, MC931, 1S1588, 1S2473HS, 0523 0, 0527 5K, SEL2210S, SEL2410E, SEL2810A, TLG123, TLS123, TLY123

- SYMBOL
C Ceramic Capacitor
BL Barrier Layer Capacitor
MY Mylar Capacitor
LE Low-Leak Electrolytic
BP Bi-Polar Electrolytic
NI Non-Inductance Resistor
CI Chip Component
FR Fusing Resistor
PP Polypropylene Film
RESISTORS
Are in ohms, 1/4 Watt ± 5%
Tolerance unless otherwise
Noted: K, Ω, M, MO
CAPACITORS
Are in μF, unless otherwise
Noted: n, pF
ELECTROLYTIC CAPACITOR
Capacitance (μF/Volts)
CHIP RESISTORS
Are 1/8 Watts
Each D.C. Voltage shows the nominal
value in volts during recording

1
2
3
4
5

9. ADJUSTMENTS

9-1. Tape Speed Adjustment

- Note:** 1. Use Sansui Test Tape, SCT-S3K (3 kHz signal is recorded on the tape).
2. Connections are shown in Fig. 9-1.
3. Remove the cassette lid. (Refer to removal of Lid Ass'y on Page 19)

Fig. 9-1

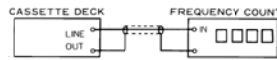
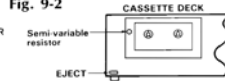


Fig. 9-2



STEP	SUBJECT	MEASURE OUTPUT	SETTING	ADJUSTMENT	ADJUST FOR	REMARKS
1.	Tape Speed Adj.	LINE OUT Frequency counter	Playback the TEST TAPE SCT-S3K	Turn semi-variable resistor as Fig. 9-2	3000Hz ± 45Hz	Use small screw driver

9-2. Playback Adjustment

- Note:** 1. Before this adjustment, clean REC/P.B. head surface.
2. For this adjustment, use Sansui Test Tape, SCT-F10K, and SCT-L400N.
3. Set the Dolby NR switch to be OFF.
4. Connections are shown in Fig. 9-3.

Fig. 9-3

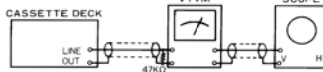
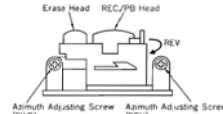


Fig. 9-4

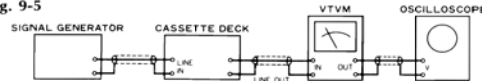


STEP	SUBJECT	MEASURE OUTPUT	SETTING	ADJUSTMENT	ADJUST FOR	REMARKS
1.	REC/P.B. Head Adj.	LINE OUT VTVM and Scope	Playback the TEST TAPE SCT-F10K	Adjust the azimuth adjusting screw in Fig. 9-4	MAX. Output both channels on FWD and REV PLAY	Refer to removal of Lid Ass'y on Page 19. After this adjustment, lock the screw with paint.
2.	Playback Level Pre Adj.	Between Point A (L-CH) and GND/Point B (R-CH) and GND VTVM and Scope	Playback the TEST TAPE SCT-L400N	Adjust each vVR101 L-CH and R-CH on both FWD and REV Play (F-4952)	10mV ± 2dB	See Top View on Page 15.
3.	Playback Level Adj.	LINE OUT VTVM and Scope	Playback the TEST TAPE SCT-L400N	Adjust each vVR1 L-CH and R-CH on both FWD and REV Play (F-4960)	320mV ± 2dB	See Top View on Page 15.

9-3. REC Level & Frequency Response Adjustment

- Note:** 1. Connections are shown in Fig. 9-5.
2. Set the Dolby NR switch to be OFF.

Fig. 9-5



STEP	SUBJECT	INPUT SIGNAL	MEASURE OUTPUT	SETTING	ADJUSTMENT	REMARKS
1.	REC Level Adj.	Feed 1kHz, 150mV from S.G. into LINE IN.	LINE OUT VTVM and Scope	Load the TEST TAPE SCT-SA. 1. Adjust the Fader VR, for obtaining 150mV on VTVM. 2. Push REC knob, 3. Playback the 1kHz signal.	Adjust vVR202 (L-CH and R-CH, F-4953) until playback level and output signal level on recording operation will be equal.	See Top View on Page 15.
2.	Frequency Response Adj.	Feed 1kHz 15mV and 10kHz 15mV from S.G. into LINE IN	LINE OUT VTVM and Scope	Load the TEST TAPE SCT-SA. 1. Record the 1kHz and 10kHz signals from S.C. 2. Playback the 1kHz and 10kHz signals, then confirm 10kHz signal level in less than 1kHz signal level ± 2dB on VTVM.	1. If not, adjust vVR203 (L-CH and R-CH, F-4953) slightly until the 10kHz signal level in less than 1kHz signal level ± 2dB on VTVM.	See Top View on Page 15.
3.	Metal REC Level Adj.	Feed 1kHz, 150mV from S.G. into LINE IN	LINE OUT VTVM and Scope	Load the TEST TAPE SCT-MA. 1. Adjust the Fader VR, for obtaining 150mV on VTVM. 2. Push REC button. 3. Playback the 1kHz signal.	Adjust vVR201 (L-CH and R-CH, F-4953) until playback level and output signal level on recording operation will be equal.	See Top View on Page 15.

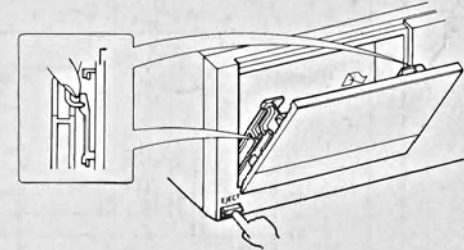
◆ List of Sansui Test Tape

Name of TEST TAPE	Recorded Frequency	Description	Equivalent To
SCT-F40	40 Hz	Playback Frequency Response Check	—
SCT-F1K	1 kHz	High Frequency Equalization Check	—
SCT-F10K	10 kHz	REC/PB Head Adjustment	—
SCT-L400N	400 Hz	Playback Level and Indicator Level Adjustment	—
SCT-S3K	3 kHz	Speed Check and Wow & Flutter Check	—
*SCT-AD (NORMAL)	—	Recording Bias Adjustment	TDK AD
*SCT-SA (HIGH)	—	REC/PB Level Adjustment	TDK SA
*SCT-MA (METAL)	—	Frequency Response Check	TDK MA

- ◆ **Note:** Some reference tapes marked * are not supplied. As these are equivalent to ones indicated above, please obtain these blank tapes on your side as possible.

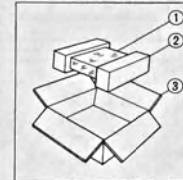
◆ Removal and Attachment of Lid Ass'y

Push EJECT Knob to open the cassette holder, push the parts locked at the left and right in the figure while pulling it upward, and remove the lid ass'y.



10. PACKING LIST

Parts No.	Stock No.	Description
1	47859900	Vinyl Bag
2	47764600	Styrofoam Packing
3	47794700	Carton Case (Silver Model)
	47794800	Carton Case (Black Model)
	47794900	Carton Case (Silver Model) <<XX-V>>
	47795000	Carton Case (Black Model) <<XX-V>>



11. ACCESSORY LIST

Stock No.	Description
07193400	PJP OUTPUT Cord
or 38103300	PJP OUTPUT Cord
48181300	Mini Pin Plug Cord
or 48181500	Mini Pin Plug Cord
94300500	Head Cleaner
46969100	Operating Instruction

- ◆ **Note:** XX-V <EXPORT (V)> Standard Version with Outer Voltage Selector.
("V" mark is indicated on the carton case.)

Sansui

SANSUI ELECTRIC CO., LTD.:
SANSUI ELECTRONICS CORPORATION:
SANSUI ELECTRONICS (U.K.) LTD.:
SANSUI ELECTRONICS G.M.B.H.:

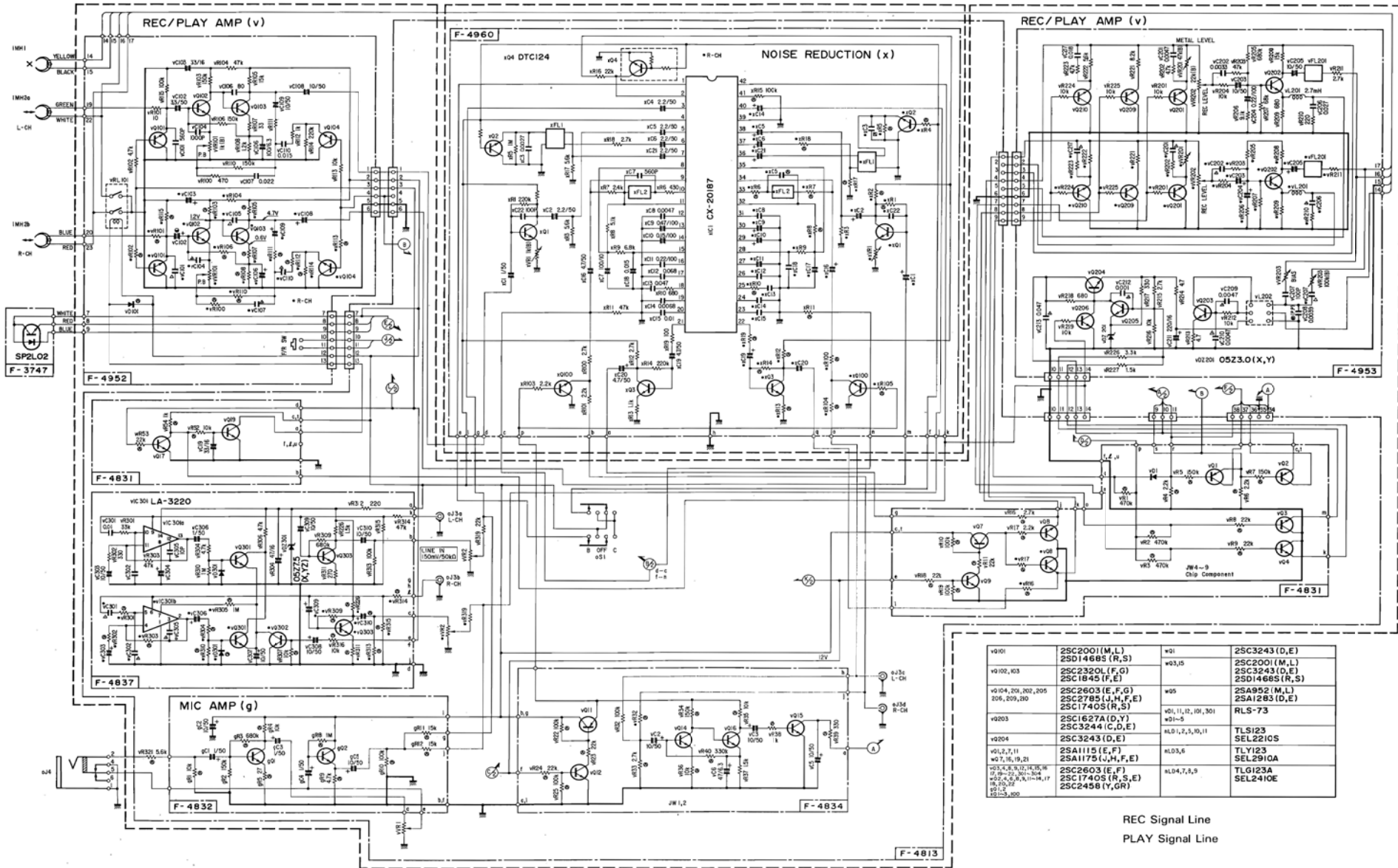
14-1, Izumi 2-chome, Suginami-ku, Tokyo 168 Japan
PHONE: (03) 324-8891/TELEX: 232-2076 (International Division)
1250 Valley Brook Ave. Lyndhurst, N.J. 07071 U.S.A.
17150 South Margay Ave. Carson, California 90746 U.S.A.
3036 Koapaka Street, Honolulu, Hawaii 96819 U.S.A.
Unit 10A, Lyon Industrial Estate, Rockware Avenue, Genford, Middx UB6, OAA, England
Pau Ehrich Strasse 8, 6074 Rödermark 2, West Germany

(SM1-219)

Printed in Japan (250420M) <Stock No. 36514100>

8. SCHEMATIC DIAGRAM 8-1. Audio Amp. Section

• Design and specifications subject to change without notice for improvement.
 • La présentation et les spécifications sont susceptibles d'être modifiées sans préavis par suites d'améliorations éventuelles.
 • Änderungen, die dem technischen Fortschritt dienen, bleiben vorbehalten.



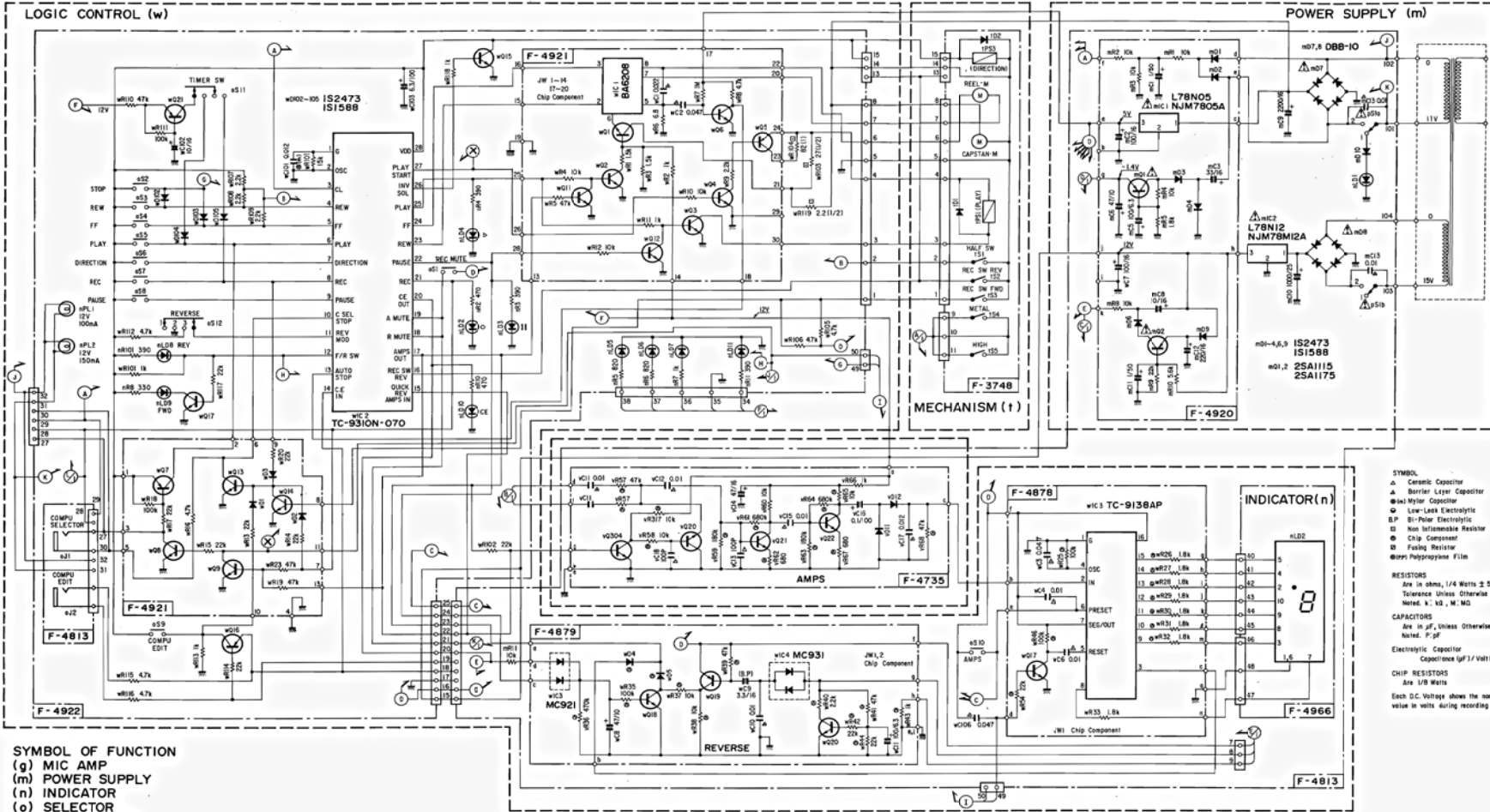
v001	2SC2001(M,L)	w01	2SC3243(D,E)
v002, w03	2SD1468S(R,S)	w03, j5	2SC2001(M,L)
v004, w03, 202, 205, 206, 209, 210	2SC2320L(F,G)	w05	2SC3243(D,E)
v003	2SC1845(J,E)	w05	2SD1468S(R,S)
v004	2SC2603(E,F,G)	v01, i1, i2, i01, 301	2SA952(M,L)
v012, 7, 11	2SC2785(J,H,F,E)	w01-5	2SA1283(D,E)
w07, 16, 19, 21	2SC1740S(R,S)	RLS-73	
v03, 4, 8, 9, 12, 14, 15, 16, 17, 18, 19, 301-304	2SC1627A(D,Y)	TL5I23	
v013, 22	2SC3244(C,D,E)	SEL2210S	
v014	2SC3243(D,E)	TLYI23	
v015	2SA1115(E,F)	SEL2910A	
v016, 17, 18, 19, 20, 21, 22	2SA1175(J,H,F,E)	TLG123A	
v013, 4, 8, 9, 12, 14, 15, 16, 17, 18, 19, 301-304	2SC2603(E,F)	SEL2410E	
v014	2SC1740S(R,S,E)		
v015	2SC2458(Y,GR)		
v013, 4, 8, 9, 12, 14, 15, 16, 17, 18, 19, 301-304			

REC Signal Line
PLAY Signal Line

1
2
3
4
5

8-2. Logic Control Section

• Design and specifications subject to change without notice for improvement.
 • La présentation et les spécifications sont susceptibles d'être modifiées sans préavis par suites d'améliorations éventuelles.
 • Änderungen, die dem technischen Fortschritt dienen, bleiben vorbehalten.



SYMBOL OF FUNCTION
 (g) MIC AMP
 (m) POWER SUPPLY
 (n) INDICATOR
 (o) SELECTOR
 (p) FIXED PARTS
 (t) MECHANISM
 (v) REC/ PLAY AMP
 (w) LOGIC CONTROL
 (x) NOISE REDUCTION

⚠ is Safety Part.
 Use only replacement parts recommended by the manufacturer.

SYMBOL
 Δ Ceramic Capacitor
 ▽ Barrier Layer Capacitor
 ⊕ Mylar Capacitor
 ⊖ Low-Leak Electrolytic
 B/P Bi-Polar Electrolytic
 □ Non-Inflammable Resistor
 ⊙ Chip Component
 ⊕ Fusing Resistor
 ⊞ Polypropylene Film

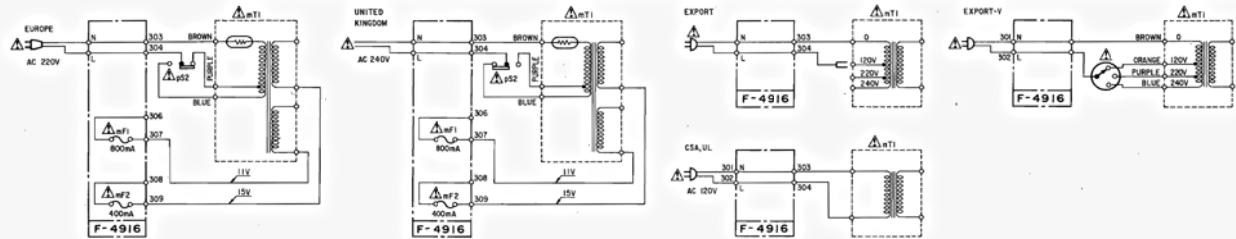
RESISTORS
 Are in ohms, 1/4 Watts ± 5%
 Tolerance Unless Otherwise
 Noted. K: kΩ, M: MΩ

CAPACITORS
 Are in μF, Unless Otherwise
 Noted. P: pF

Electrolytic Capacitor
 Capacitance (μF / Volt/V)

CHIP RESISTORS
 Are 1/8 Watts

Each D.C. Voltage shows the nominal
 value in volts during recording



1
2
3
4
5